

Satu Bumi

Advanced Concrete Technology

Design Example

PLANTERS AS
BALUSTRADES

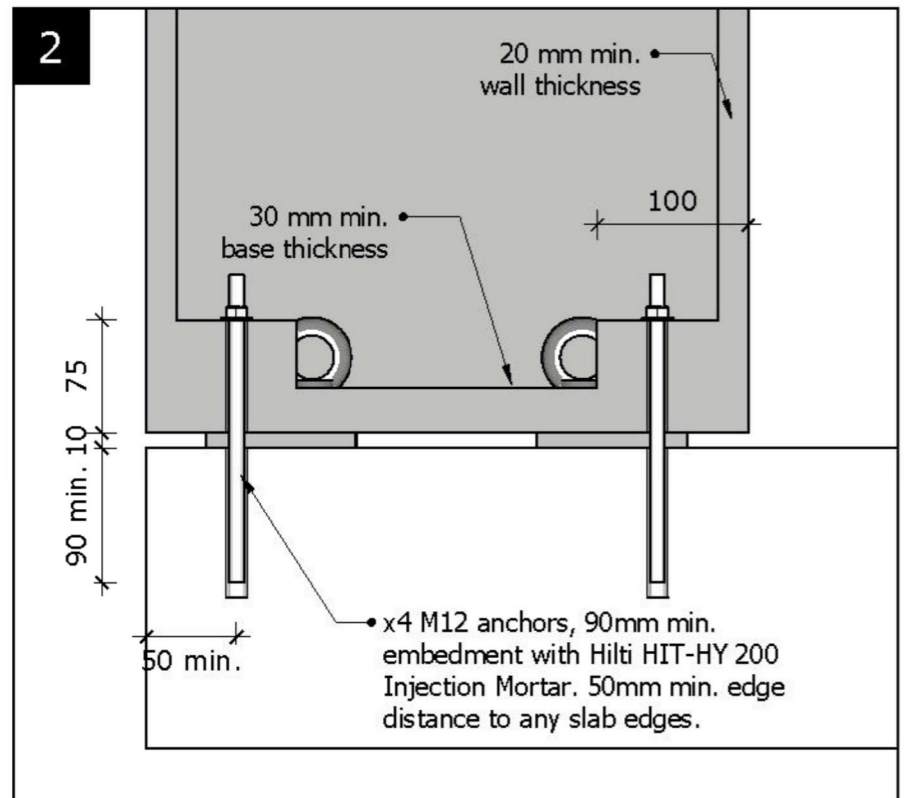
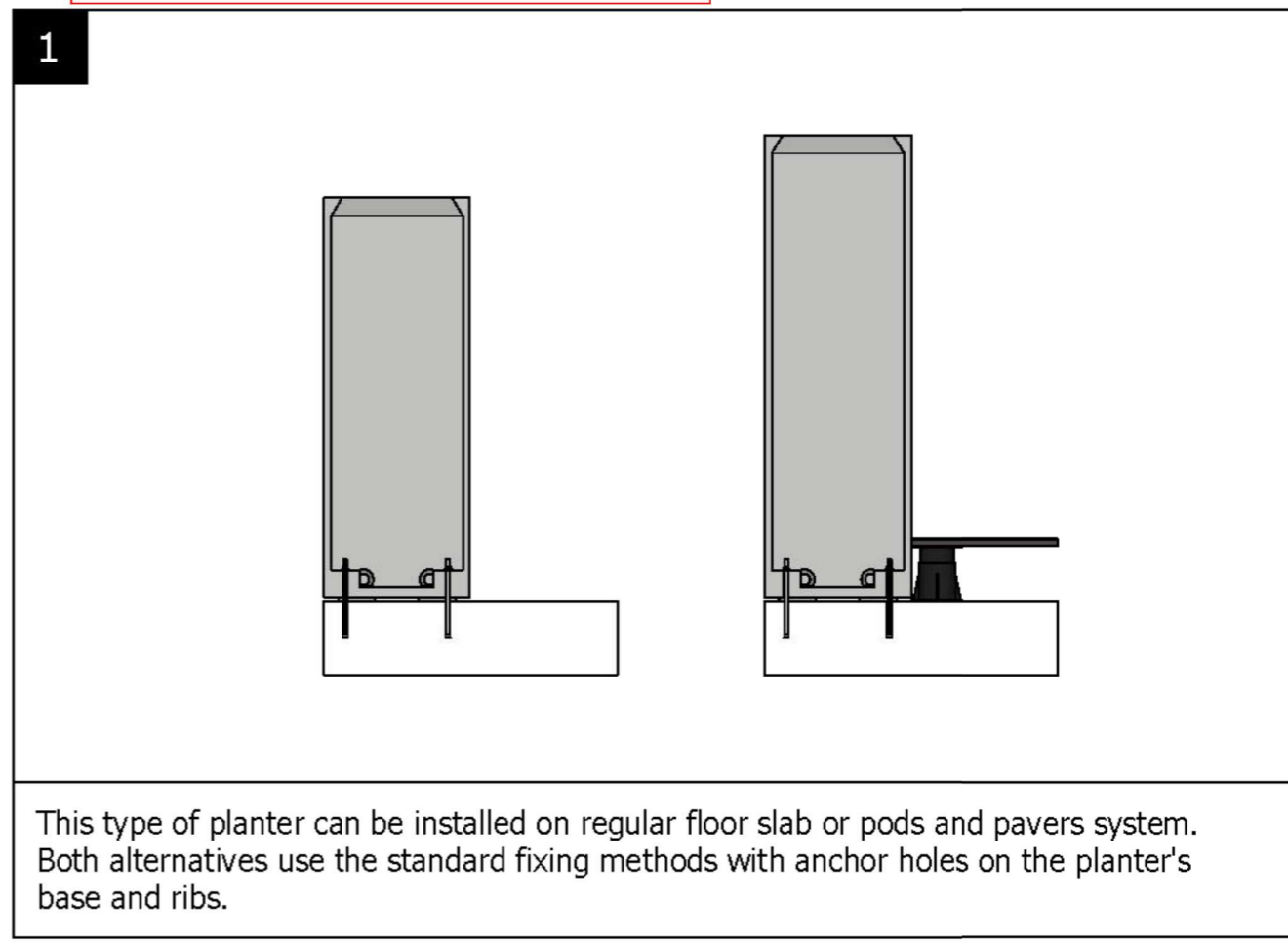
Project		SATU BUMI - PLANTERS		partridge.com.au	
Title		PLANTERS WORKING AS BALUSTRADES		partridge@partridge.com.au	
Job No.		2022S0018.55		Partridge Structural Pty Ltd	
Drawing No.		SK01		ABN 73 002 451 925	
Revision		1		Date	
Date		29.02.24		By	
By		J BUTLER			

PATRIDGE STRUCTURAL PTY LTD CONFIRM THAT THE GRC PLANTER GEOMETRY AND FIXINGS SHOWN IN THIS DRAWING SET ARE SUITABLE TO ENABLE THESE PLANTERS TO BE CERTIFIED AS BARRIERS TO CLASS A, B, E AND C3 LOADING PER AS/NZS 1170.1-2002 TABLE 3.3.

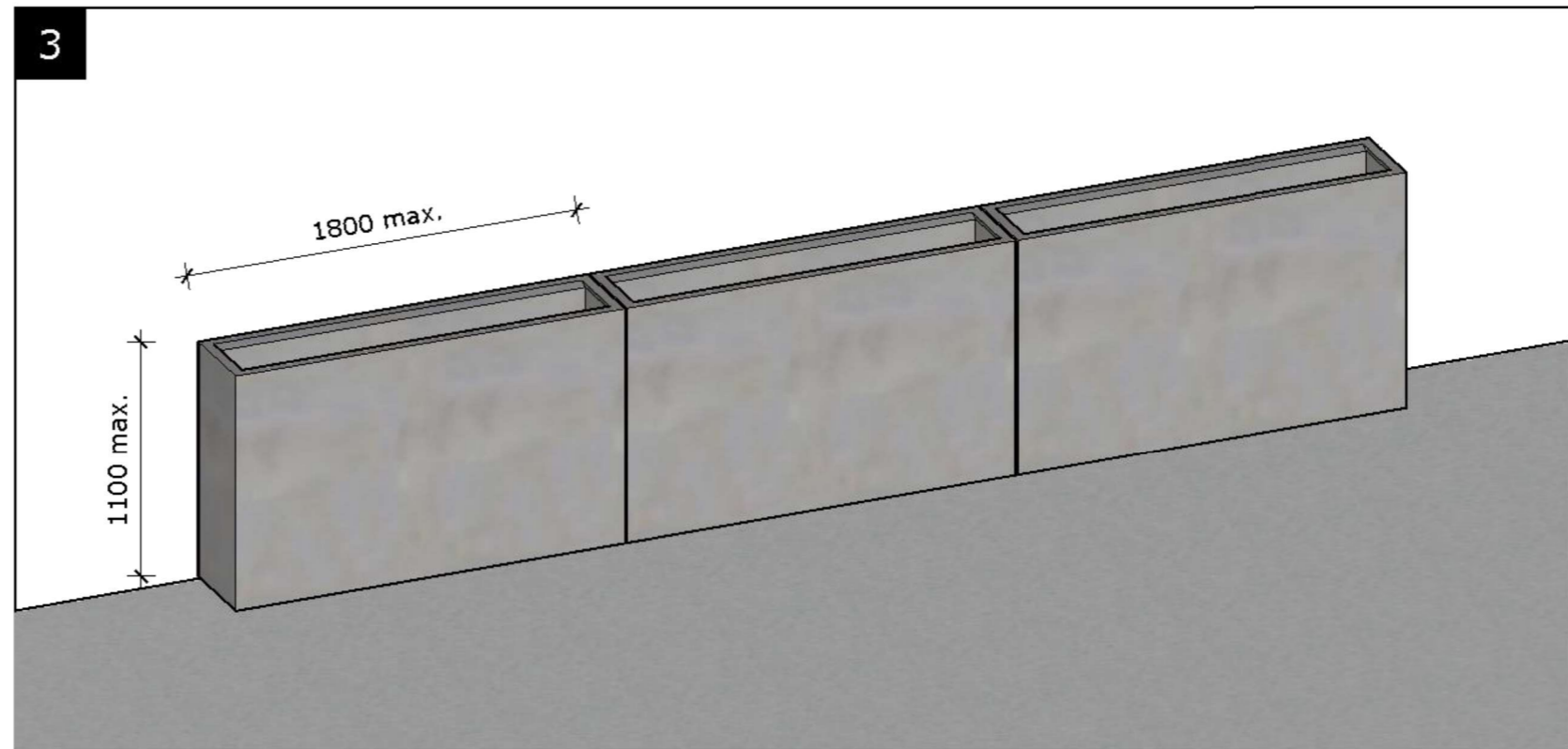
DESIGN OF THE STEEL RAILING/GLASS INFILL FALLS OUTSIDE OF SATU BUMI'S SCOPE AND PATRIDGE'S STRUCTURAL REVIEW.

THIS DOCUMENT DOES NOT ACT AS A FINAL CERTIFICATION FOR THE BALUSTRADES. PROJECT SPECIFIC DRAWINGS MUST BE PROVIDED TO PATRIDGE FOR FINAL REVIEW AND CERTIFICATION.

Planter as balustrade design example:
Standard planter



14mm dia. anchor holes and 75 mm thick rib, or as advised by the engineers, are provided to fix the planters into the floor slab.



For the planter boxes to work as balustrades, they will need to be limited in length to 1800mm maximum or have internal walls at 1800mm maximum spacings. The maximum height of these planters is 1100mm from the finished floor level.

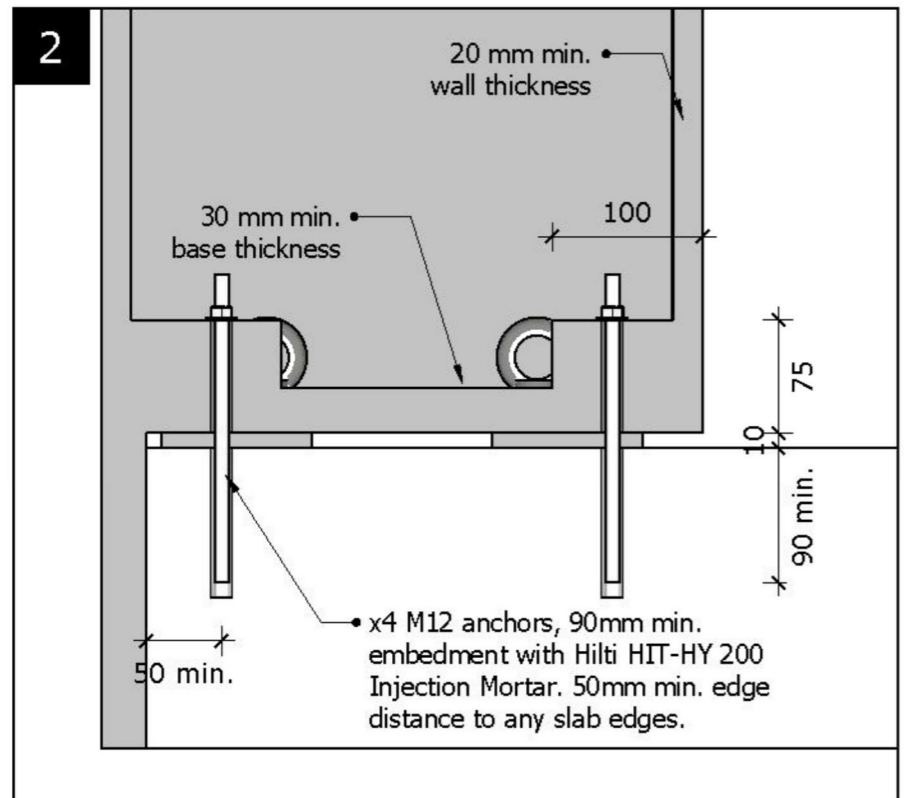
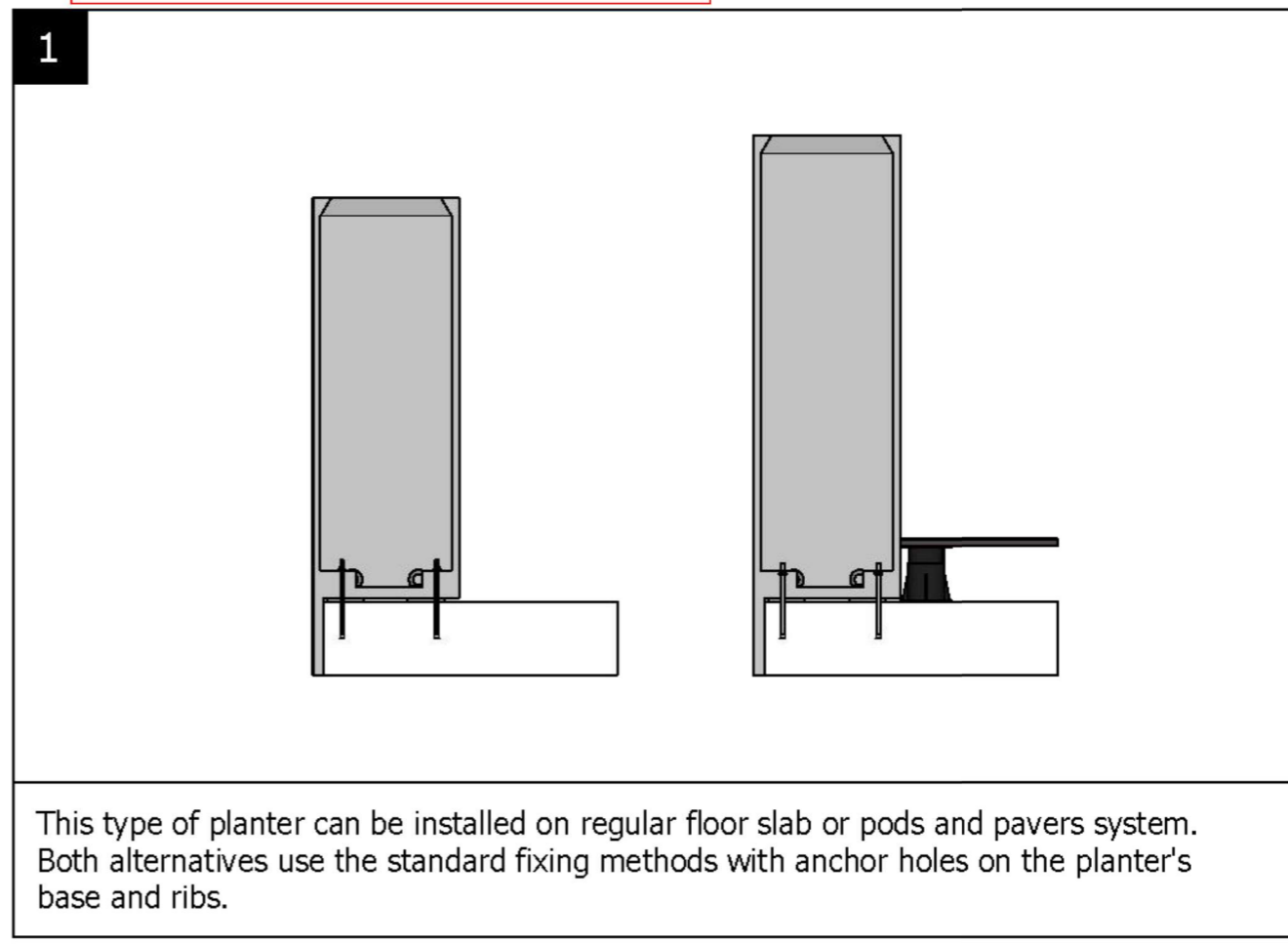
Project		SATU BUMI - PLANTERS		partridge.com.au	
Title		PLANTERS WORKING AS BALUSTRADES		partridge@partridge.com.au	
SUBTITLE		STRUCTURAL APPROVAL		Partridge Structural Pty Ltd	
Job No.		2022S0018.55		ABN 73 002 451 925	
Drawing No.	SK02	Revision	1	Date	29.02.24
By			J BUTLER		

PATRIDGE STRUCTURAL PTY LTD CONFIRM THAT THE GRC PLANTER GEOMETRY AND FIXINGS SHOWN IN THIS DRAWING SET ARE SUITABLE TO ENABLE THESE PLANTERS TO BE CERTIFIED AS BARRIERS TO CLASS A, B, E AND C3 LOADING PER AS/NZS 1170.1-2002 TABLE 3.3.

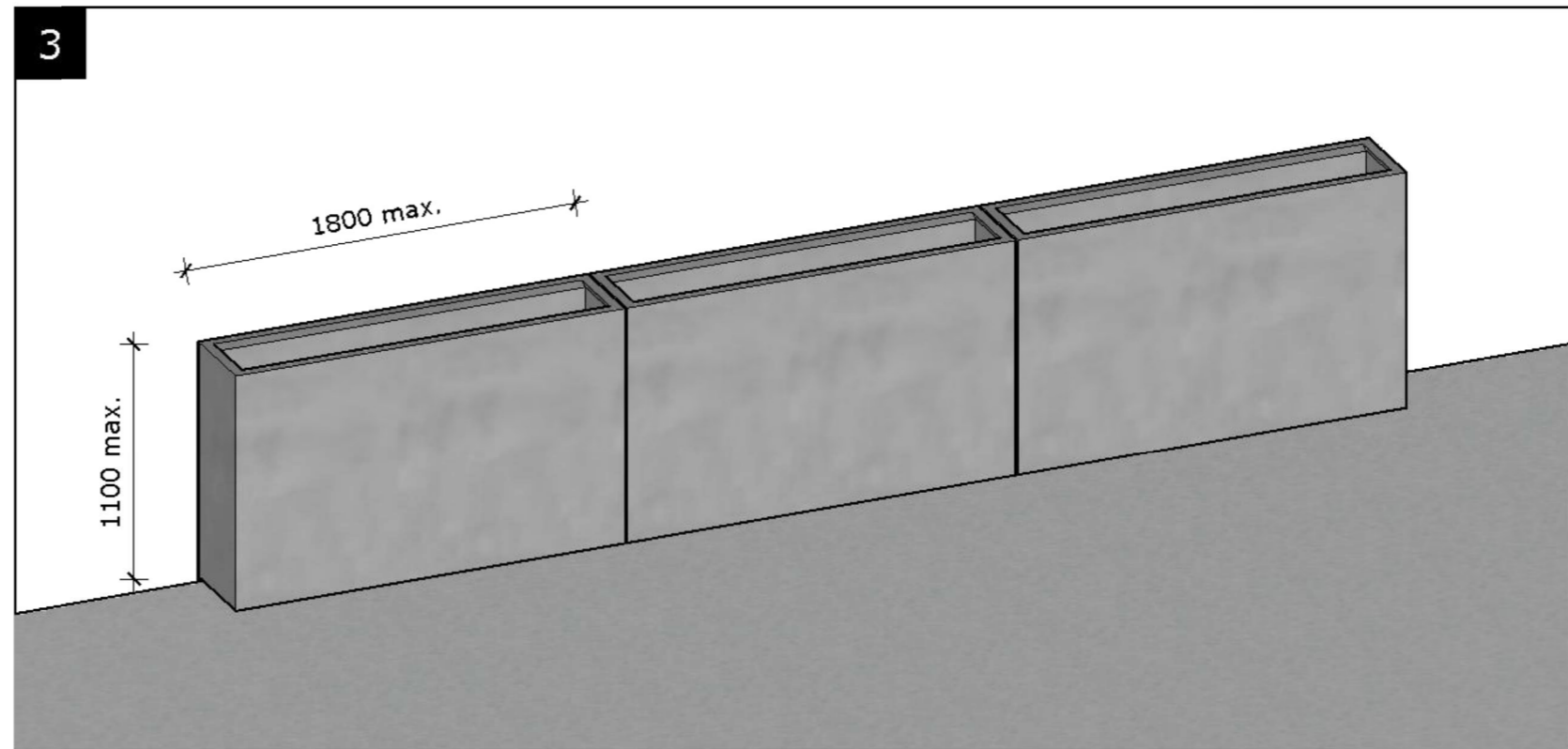
DESIGN OF THE STEEL RAILING/GLASS INFILL FALLS OUTSIDE OF SATU BUMI'S SCOPE AND PATRIDGE'S STRUCTURAL REVIEW.

THIS DOCUMENT DOES NOT ACT AS A FINAL CERTIFICATION FOR THE BALUSTRADES. PROJECT SPECIFIC DRAWINGS MUST BE PROVIDED TO PATRIDGE FOR FINAL REVIEW AND CERTIFICATION.


Planter as balustrade design example:
Extended fascia



14mm dia. anchor holes and 75 mm thick rib, or as advised by the engineers, are provided to fix the planters into the floor slab.



For the planter boxes to work as balustrades, they will need to be limited in length to 1800mm maximum or have internal walls at 1800mm maximum spacings. The maximum height of these planters is 1100mm from the finished floor level.

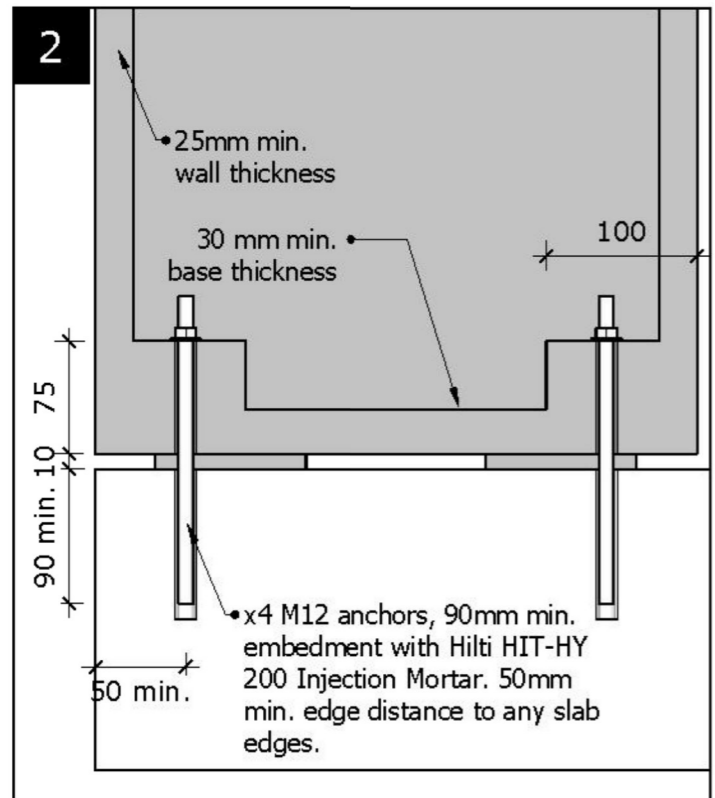
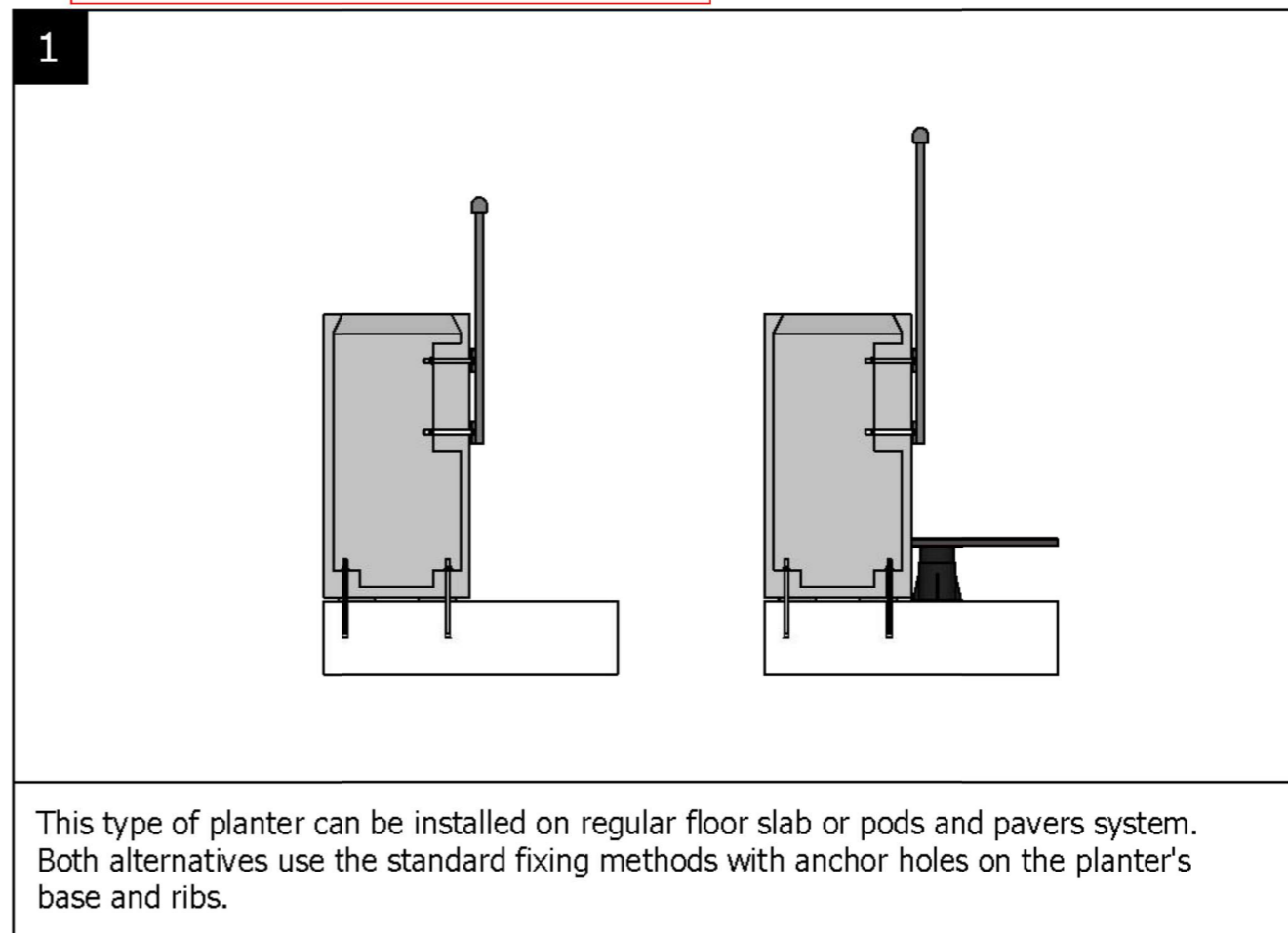
	Project SATU BUMI - PLANTERS				partridge.com.au partridge@partridge.com.au Partridge Structural Pty Ltd ABN 73 002 451 925
	Title PLANTERS WORKING AS BALUSTRADES STRUCTURAL APPROVAL				
Job No. 2022S0018.55	Drawing No. SK03	Revision 1	Date 29.02.24	By J BUTLER	

PATRIDGE STRUCTURAL PTY LTD CONFIRM THAT THE GRC PLANTER GEOMETRY AND FIXINGS SHOWN IN THIS DRAWING SET ARE SUITABLE TO ENABLE THESE PLANTERS TO BE CERTIFIED AS BARRIERS TO CLASS A, B, E AND C3 LOADING PER AS/NZS 1170.1-2002 TABLE 3.3.

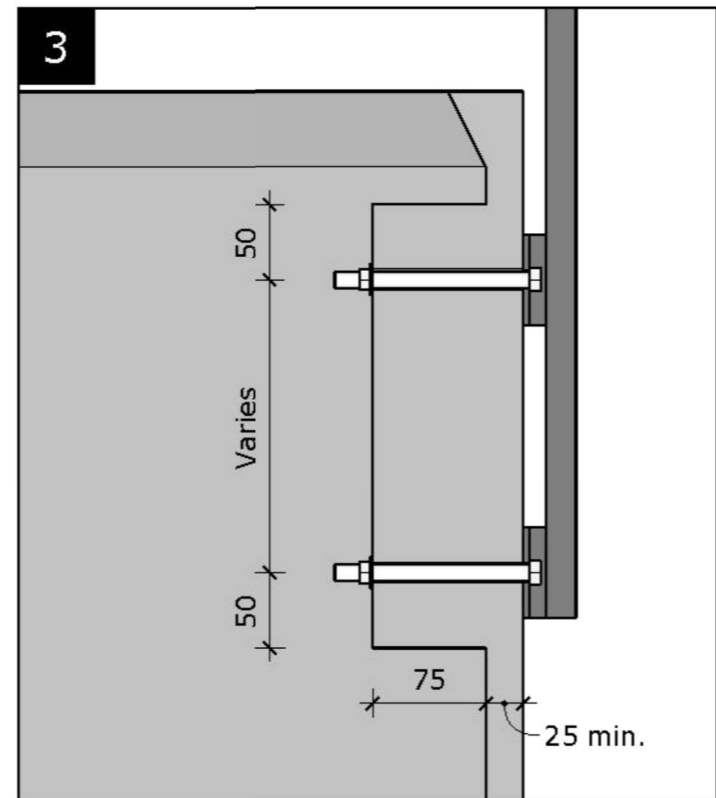
DESIGN OF THE STEEL RAILING/GLASS INFILL FALLS OUTSIDE OF SATU BUMI'S SCOPE AND PATRIDGE'S STRUCTURAL REVIEW.

THIS DOCUMENT DOES NOT ACT AS A FINAL CERTIFICATION FOR THE BALUSTRADES. PROJECT SPECIFIC DRAWINGS MUST BE PROVIDED TO PATRIDGE FOR FINAL REVIEW AND CERTIFICATION.

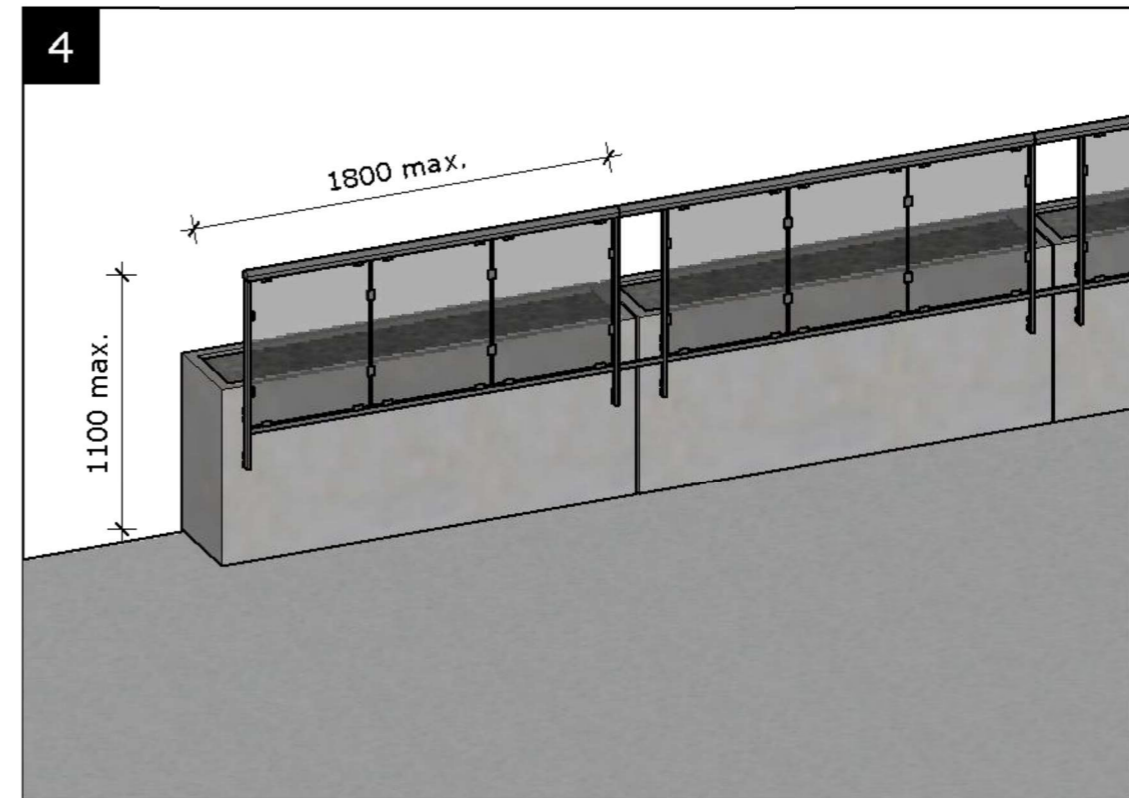
Planter as balustrade design example:
With railing



14mm dia. anchor holes and 75 mm thick rib, or as advised by the engineers, are provided to fix the planters into the floor slab.



Where needed, ribs are provided to fix the railings into the planters. Anchor goes through the wall with a nut on the other end.



For the planter boxes to work as balustrades, they will need to be limited in length to 1800mm maximum or have internal walls at 1800mm maximum spacings. The maximum height of these planters is 1100mm.