


**Satu Bumi**  
Advanced Concrete Technology

Design Example

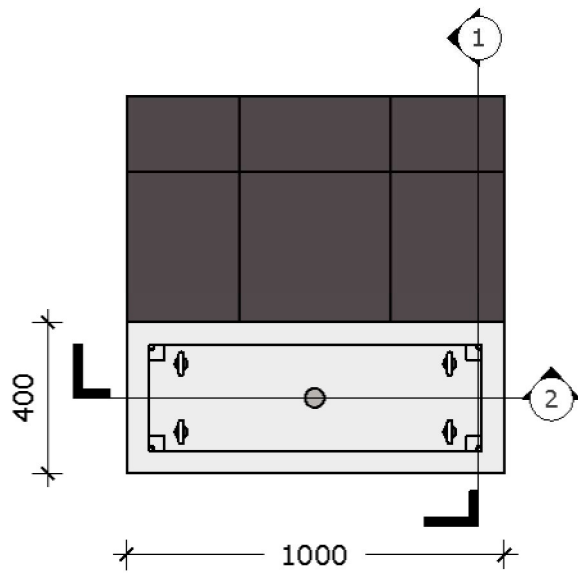
**PLANTER FIXINGS**

	Project <b>SATU BUMI - PLANTERS</b>			partridge.com.au partridge@partridge.com.au Partridge Structural Pty Ltd ABN 73 002 451 925
	Title <b>PLANTERS WORKING AS BALUSTRADES                  STRUCTURAL APPROVAL</b>			
Job No <b>2022S0018.55</b>	Drawing No <b>SK04</b>	Revision <b>1</b>	Date <b>29.02.24</b>	By <b>J BUTLER</b>

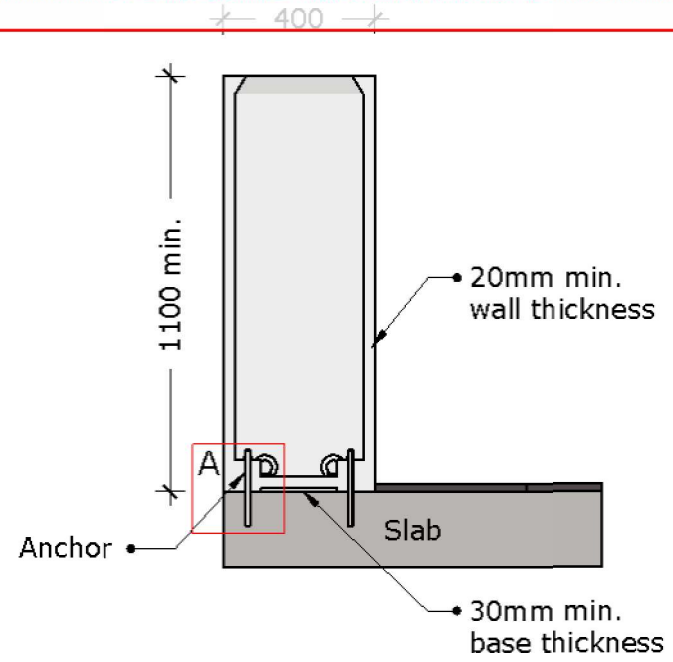
PATRIDGE STRUCTURAL PTY LTD CONFIRM THAT THE GRC PLANTER GEOMETRY AND FIXINGS SHOWN IN THIS DRAWING SET ARE SUITABLE TO ENABLE THESE PLANTERS TO BE CERTIFIED AS BARRIERS TO CLASS A, B, E AND C3 LOADING PER AS/NZS 1170.1-2002 TABLE 3.3.  
 DESIGN OF THE STEEL RAILING/GLASS INFILL FALLS OUTSIDE OF SATU BUMI'S SCOPE AND PARTRIDGE'S STRUCTURAL REVIEW.  
 THIS DOCUMENT DOES NOT ACT AS A FINAL CERTIFICATION FOR THE BALUSTRADES. PROJECT SPECIFIC DRAWINGS MUST BE PROVIDED TO PARTRIDGE FOR FINAL REVIEW AND CERTIFICATION.

# Information Sheet

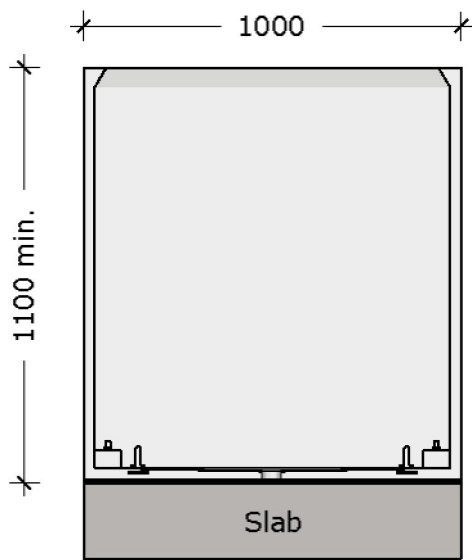
## Fixing Option – Standard System



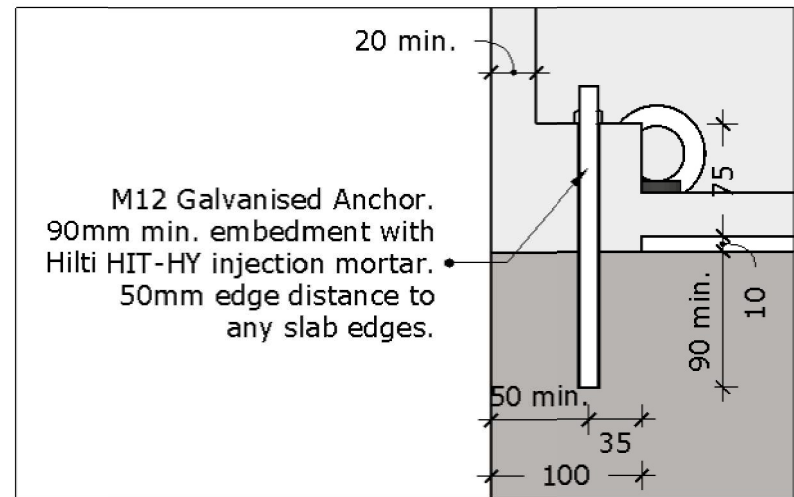
**1** Plan View  
Scale: 1 : 20



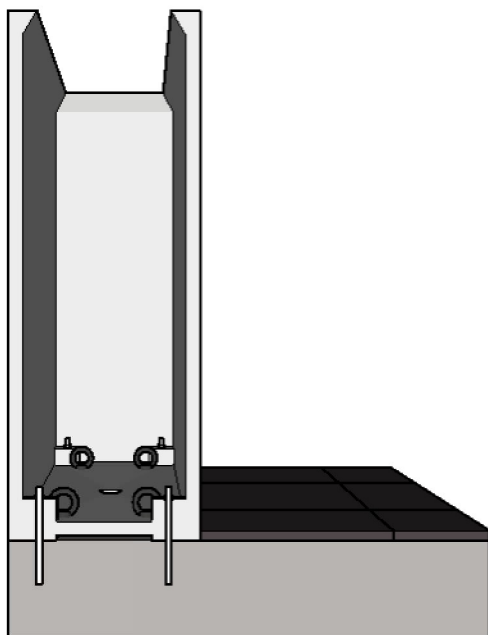
**2** Section View 1  
Scale: 1 : 20



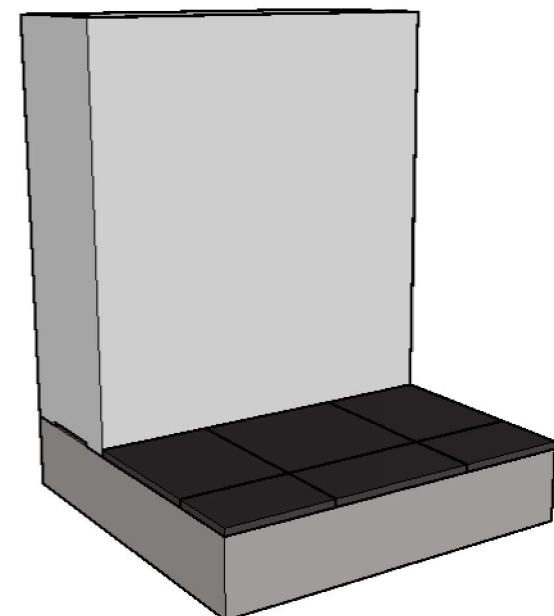
**3** Section View 2  
Scale: 1 : 20



**4** Zoom View A  
Scale: 1 : 5



**5** 3D Section View  
Not to Scale



**6** 3D View  
Not to Scale

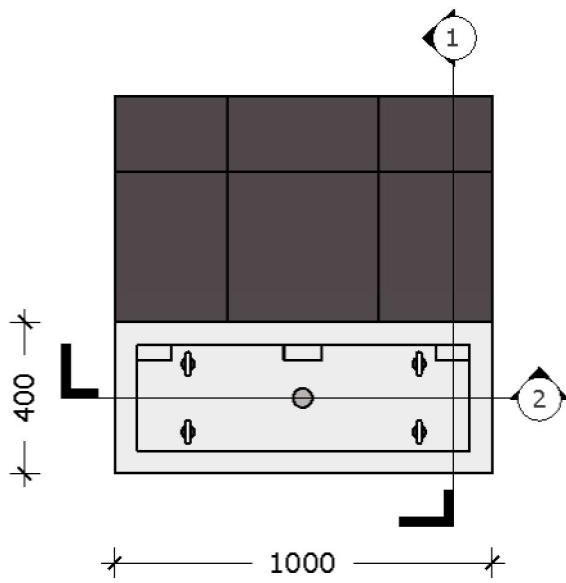


Project <b>SATU BUMI - PLANTERS</b>		partridge.com.au partridge@partridge.com.au Partridge Structural Pty Ltd ABN 73 002 451 925	
Title <b>PLANTERS WORKING AS BALUSTRADES STRUCTURAL APPROVAL</b>			
Job No <b>2022S0018.55</b>	Drawing No <b>SK05</b>	Revision <b>1</b>	Date <b>29.02.24</b>
By <b>J BUTLER</b>			

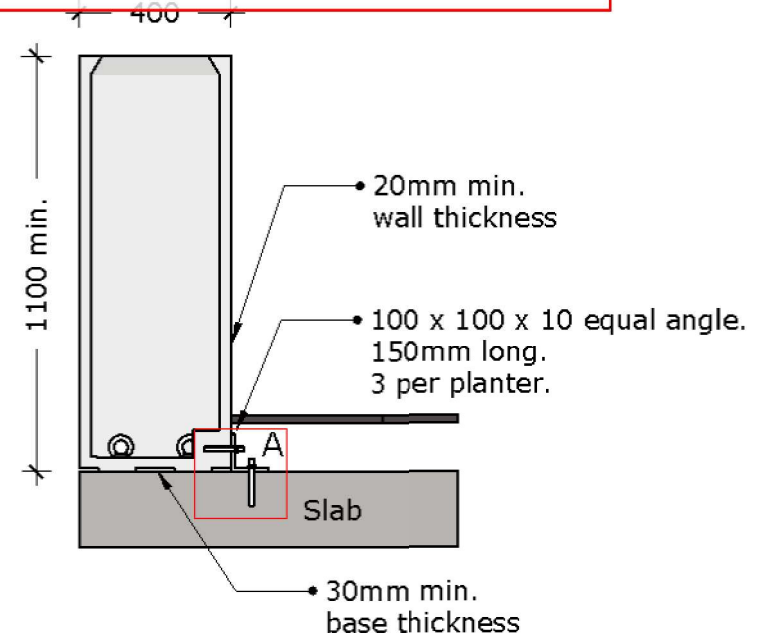
PATRIDGE STRUCTURAL PTY LTD CONFIRM THAT THE GRC PLANTER GEOMETRY AND FIXINGS SHOWN IN THIS DRAWING SET ARE SUITABLE TO ENABLE THESE PLANTERS TO BE CERTIFIED AS BARRIERS TO CLASS A, B, E AND C3 LOADING PER AS/NZS 1170.1-2002 TABLE 3.3.  
DESIGN OF THE STEEL RAILING/GLASS INFILL FALLS OUTSIDE OF SATU BUMI'S SCOPE AND PARTRIDGE'S STRUCTURAL REVIEW.  
THIS DOCUMENT DOES NOT ACT AS A FINAL CERTIFICATION FOR THE BALUSTRADES. PROJECT SPECIFIC DRAWINGS MUST BE PROVIDED TO PARTRIDGE FOR FINAL REVIEW AND CERTIFICATION.

## Information Sheet

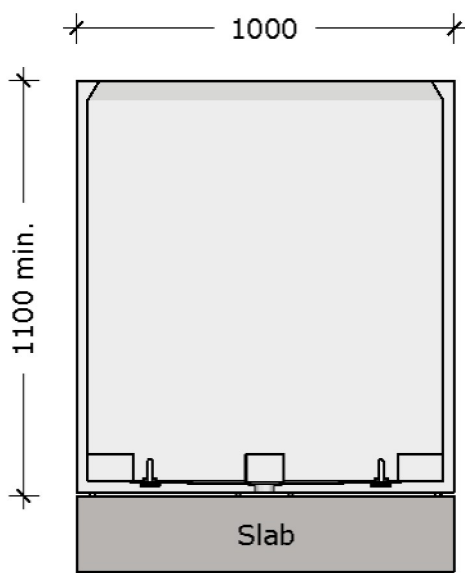
### Fixing Option – Pod and Paver System



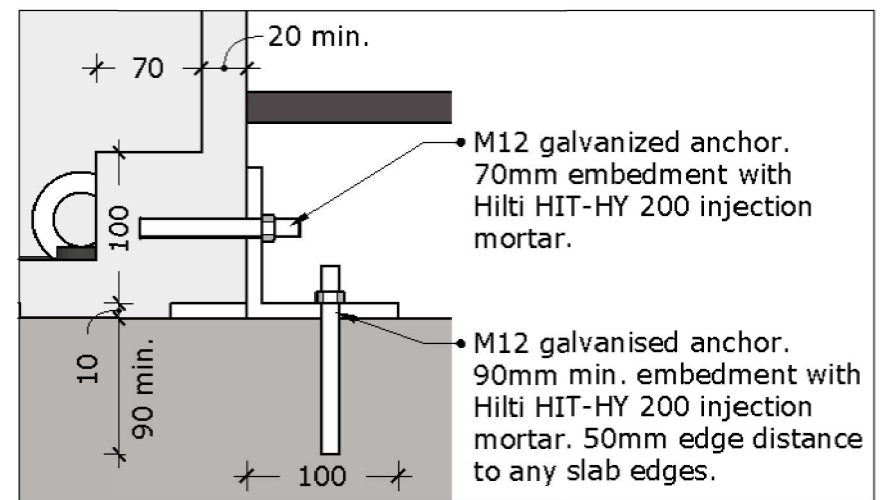
**1** Plan View  
Scale: 1 : 20



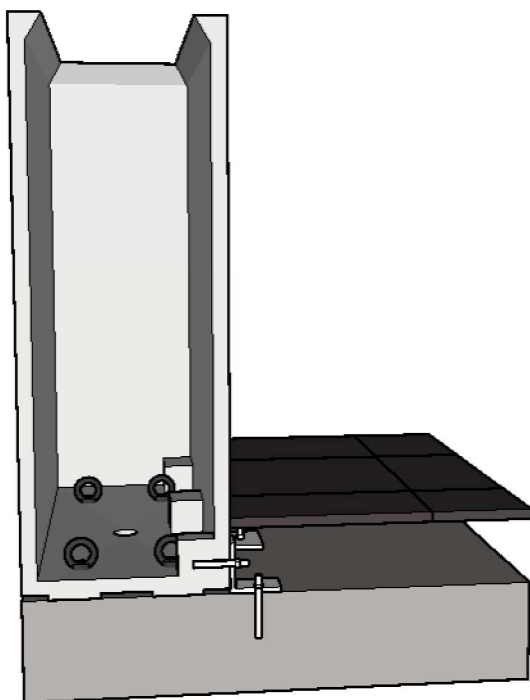
**2** Section View 1  
Scale: 1 : 20



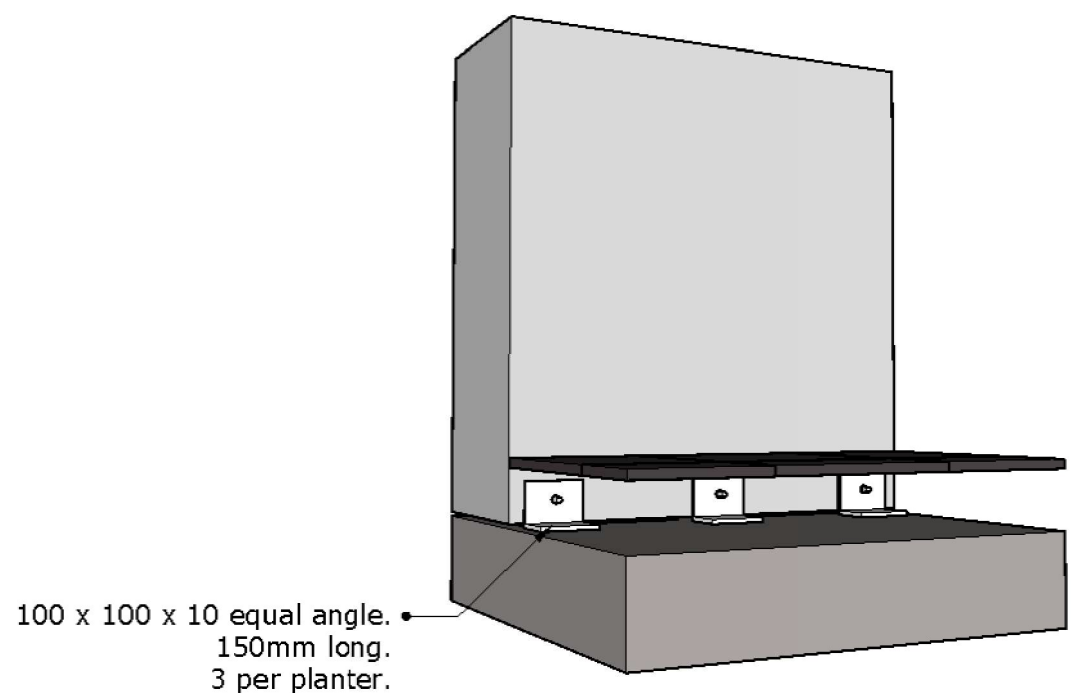
**3** Section View 2  
Scale: 1 : 20




**4** Zoom View A  
Scale: 1 : 5



**5** 3D Section View  
Not to Scale



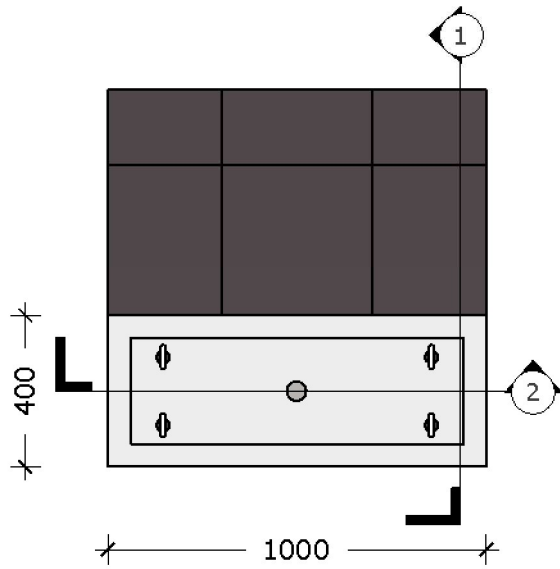
**6** 3D View  
Not to Scale

	Project <b>SATU BUMI - PLANTERS</b>			partridge.com.au partridge@partridge.com.au Partridge Structural Pty Ltd ABN 73 002 451 925
	Title <b>PLANTERS WORKING AS BALUSTRADES                  STRUCTURAL APPROVAL</b>			
Job No <b>2022S0018.55</b>	Drawing No <b>SK06</b>	Revision <b>1</b>	Date <b>29.02.24</b>	By <b>J BUTLER</b>

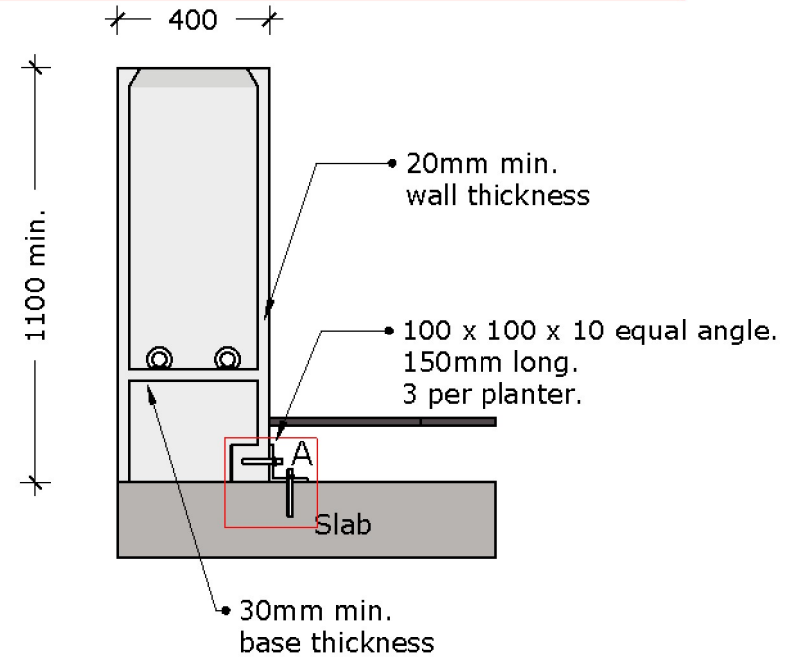
PATRIDGE STRUCTURAL PTY LTD CONFIRM THAT THE GRC PLANTER GEOMETRY AND FIXINGS SHOWN IN THIS DRAWING SET ARE SUITABLE TO ENABLE THESE PLANTERS TO BE CERTIFIED AS BARRIERS TO CLASS A, B, E AND C3 LOADING PER AS/NZS 1170.1-2002 TABLE 3.3.  
 DESIGN OF THE STEEL RAILING/GLASS INFILL FALLS OUTSIDE OF SATU BUMI'S SCOPE AND PARTRIDGE'S STRUCTURAL REVIEW.  
 THIS DOCUMENT DOES NOT ACT AS A FINAL CERTIFICATION FOR THE BALUSTRADES. PROJECT SPECIFIC DRAWINGS MUST BE PROVIDED TO PARTRIDGE FOR FINAL REVIEW AND CERTIFICATION.

# Information Sheet

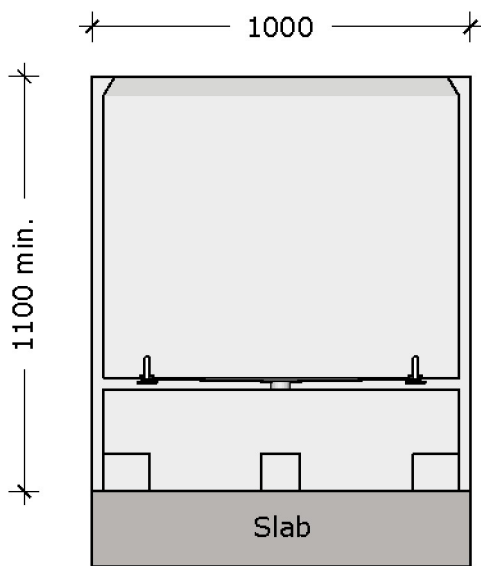
## Fixing Option – H Planter



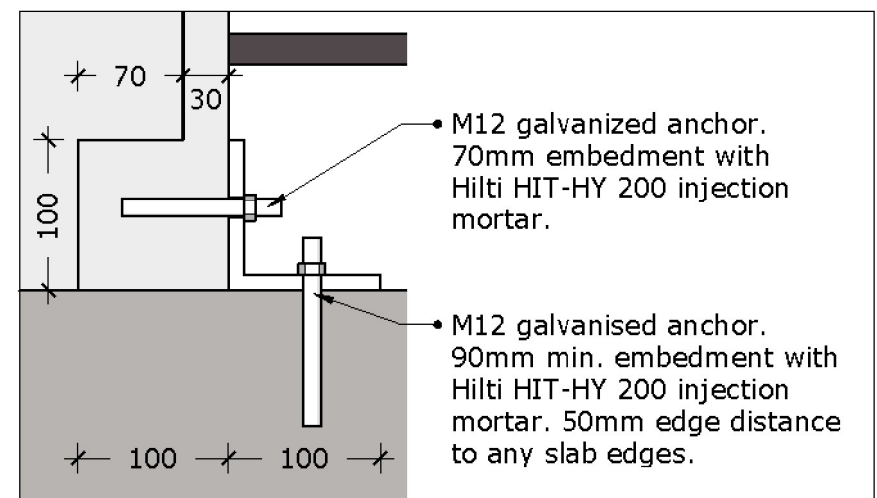
**1** Plan View  
Scale: 1 : 20



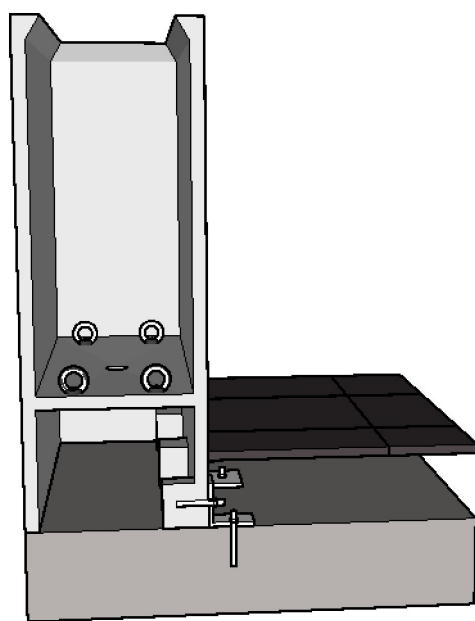
**2** Section View 1  
Scale: 1 : 20



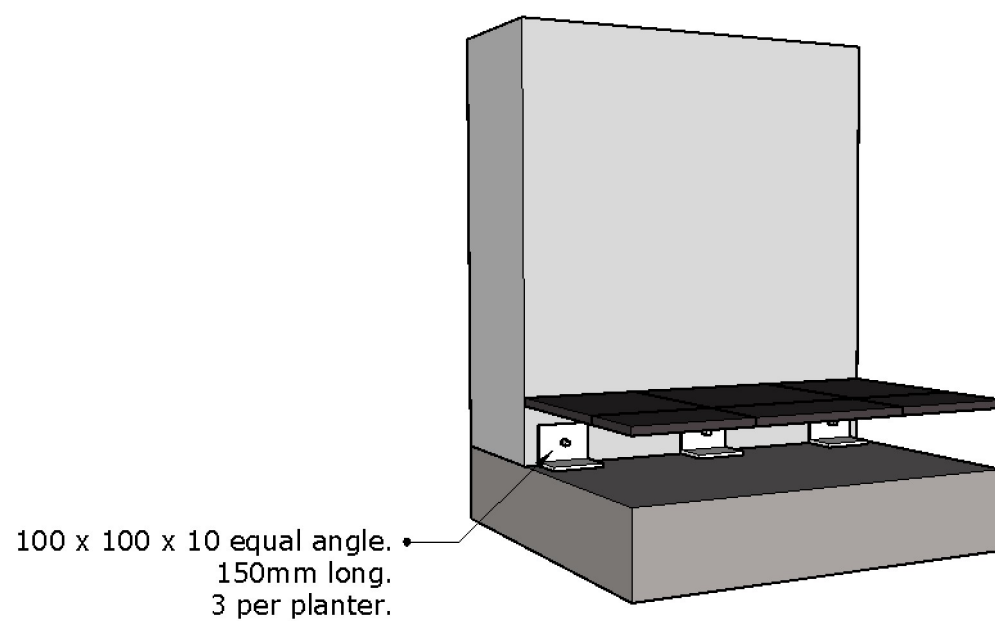
**3** Section View 2  
Scale: 1 : 20



**4** Zoom View A  
Scale: 1 : 5



**5** 3D Section View  
Not to Scale



**6** 3D View  
Not to Scale