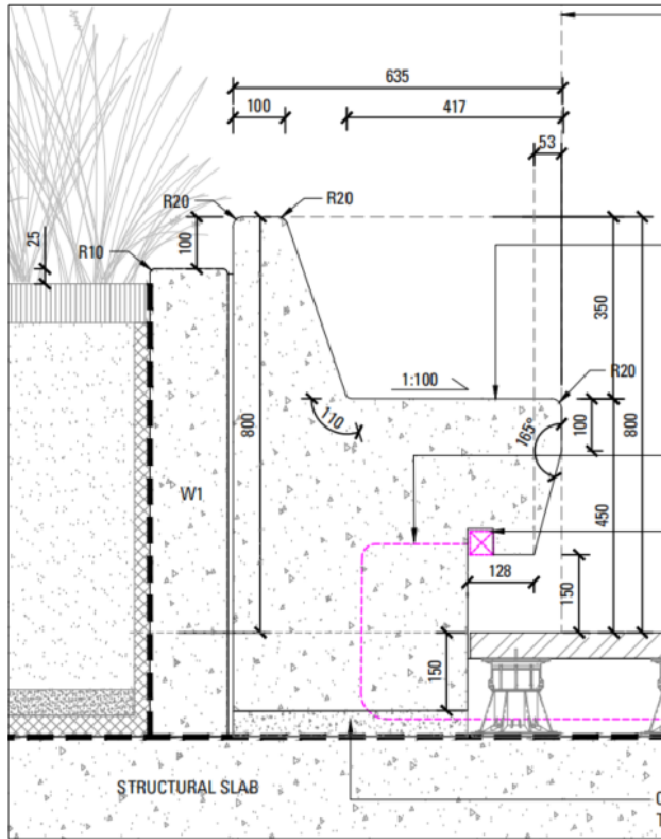


# Satu Bumi

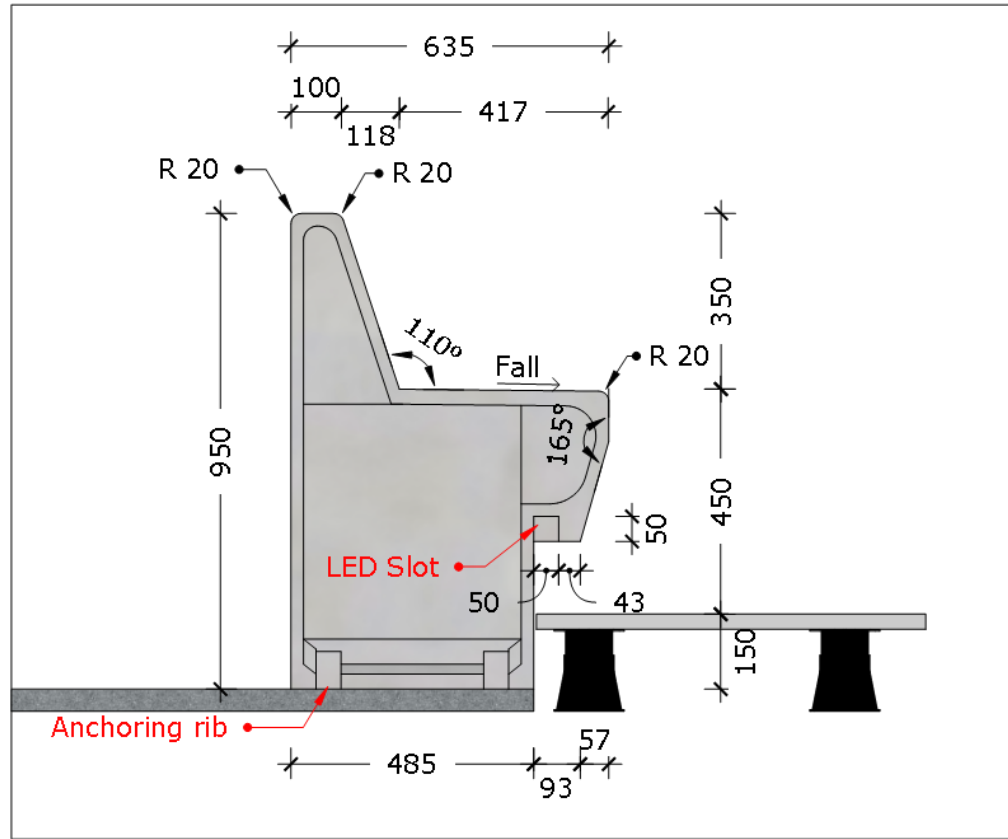
Advanced Concrete Technology

## Design Example

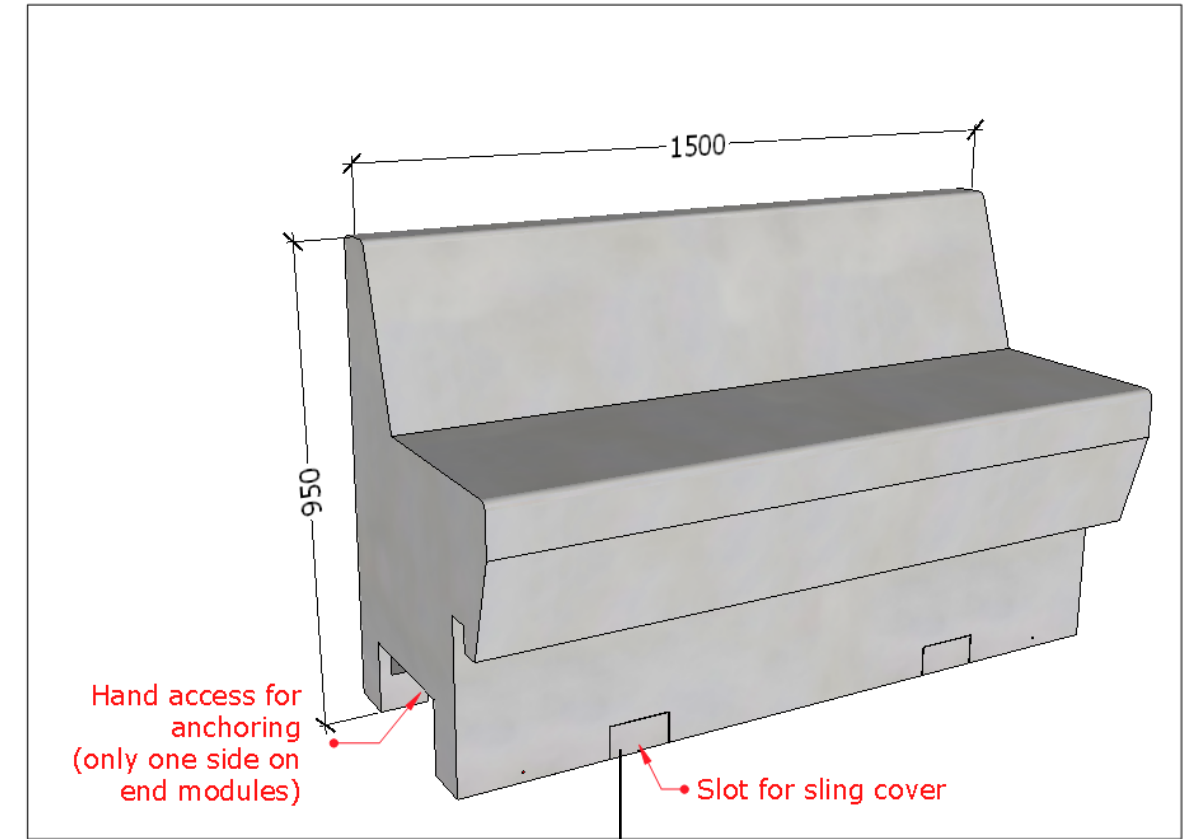
# LED LIGHT GROOVE - SEAT



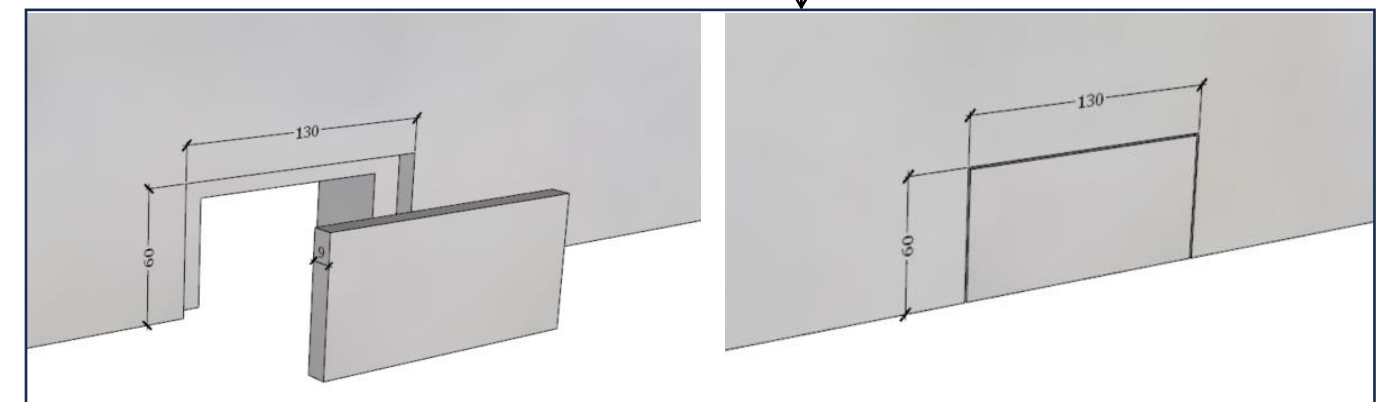
1 Original Design LF-1  
Not to Scale

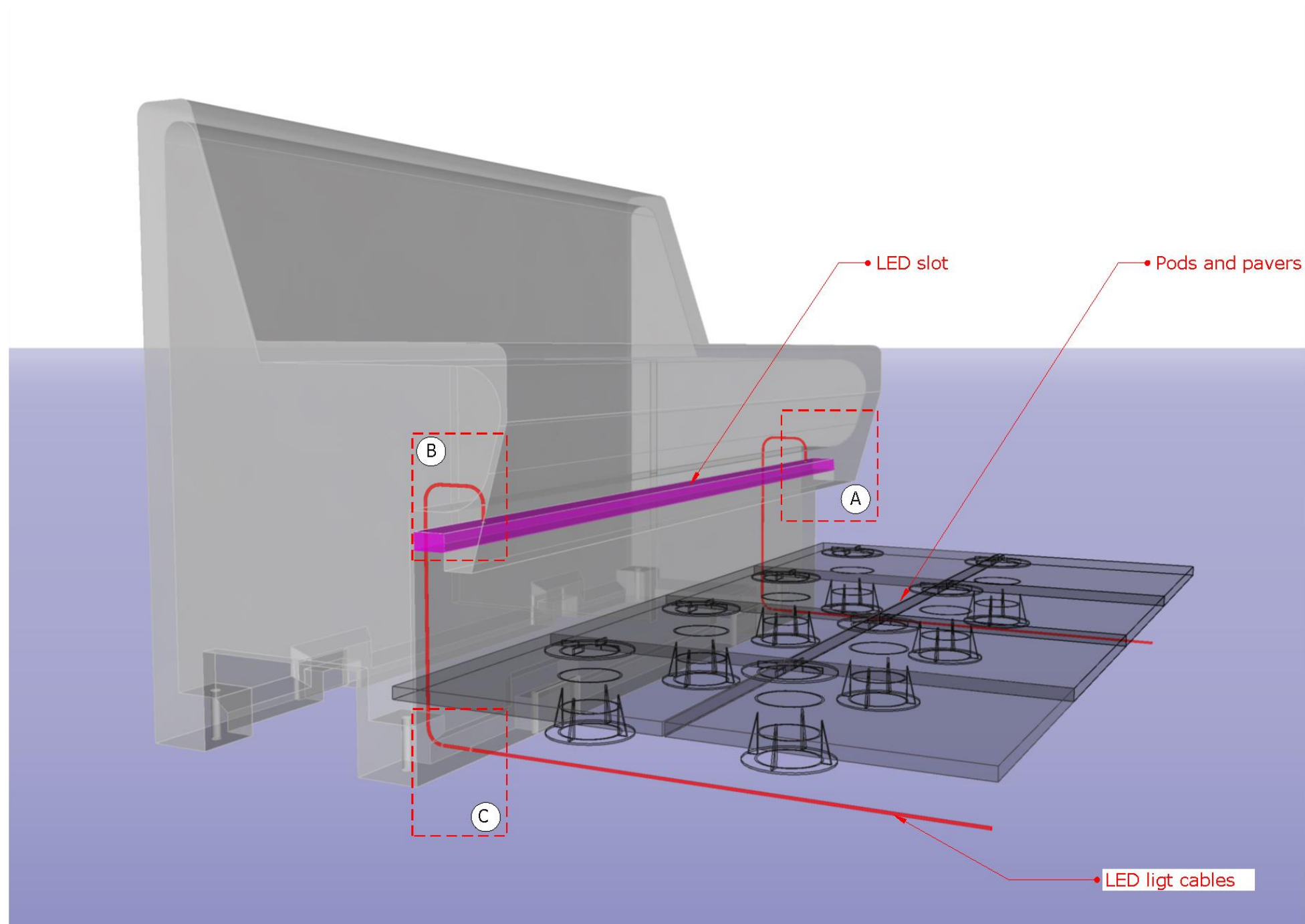


2 GRC Option Section View LF-1  
Scale: 1 : 15 @A3

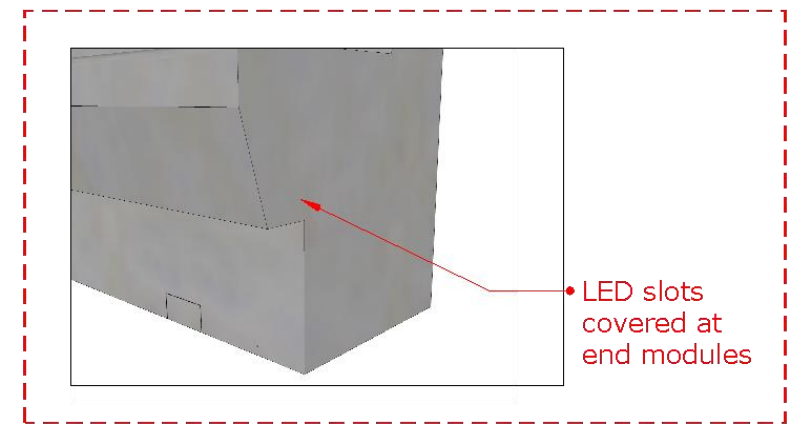


3 GRC Option 3D View LF-1  
Not to Scale

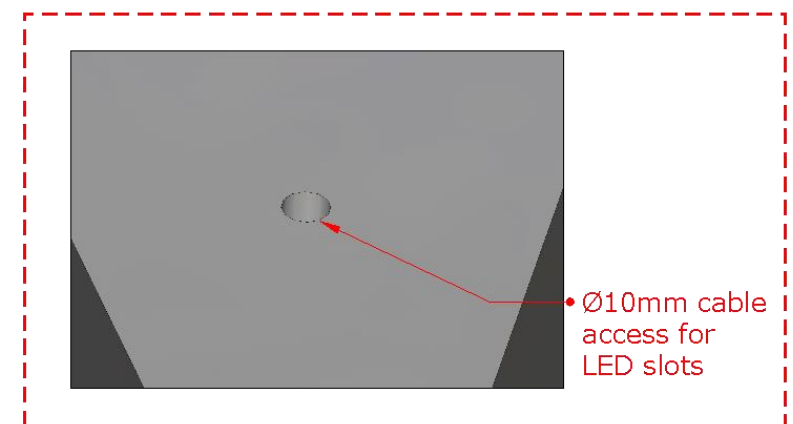




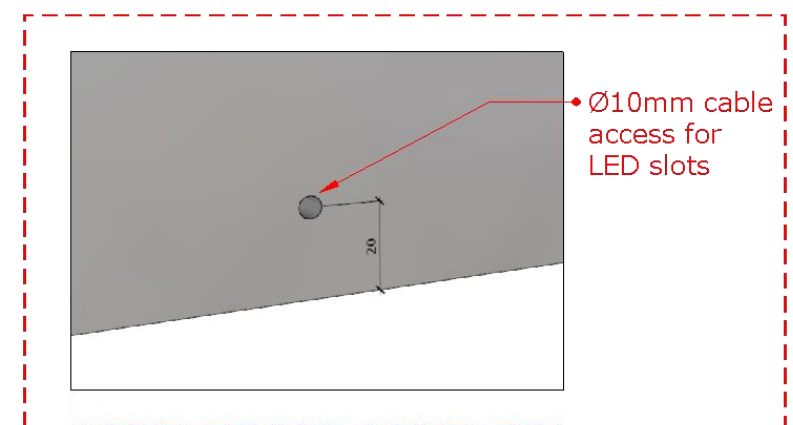
1 LED Conduit Scheme LF1  
Not to Scale



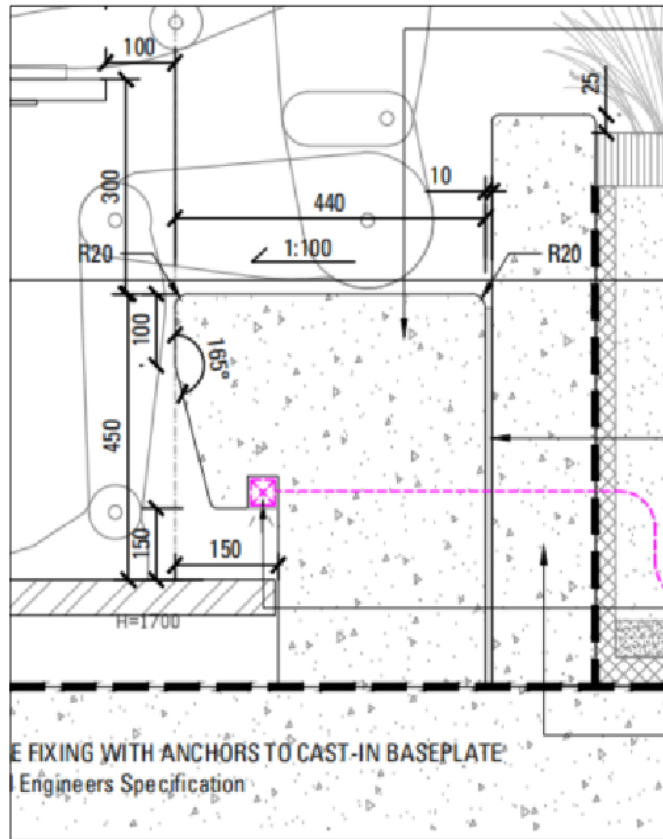
2 Zoomed View A  
Not to Scale



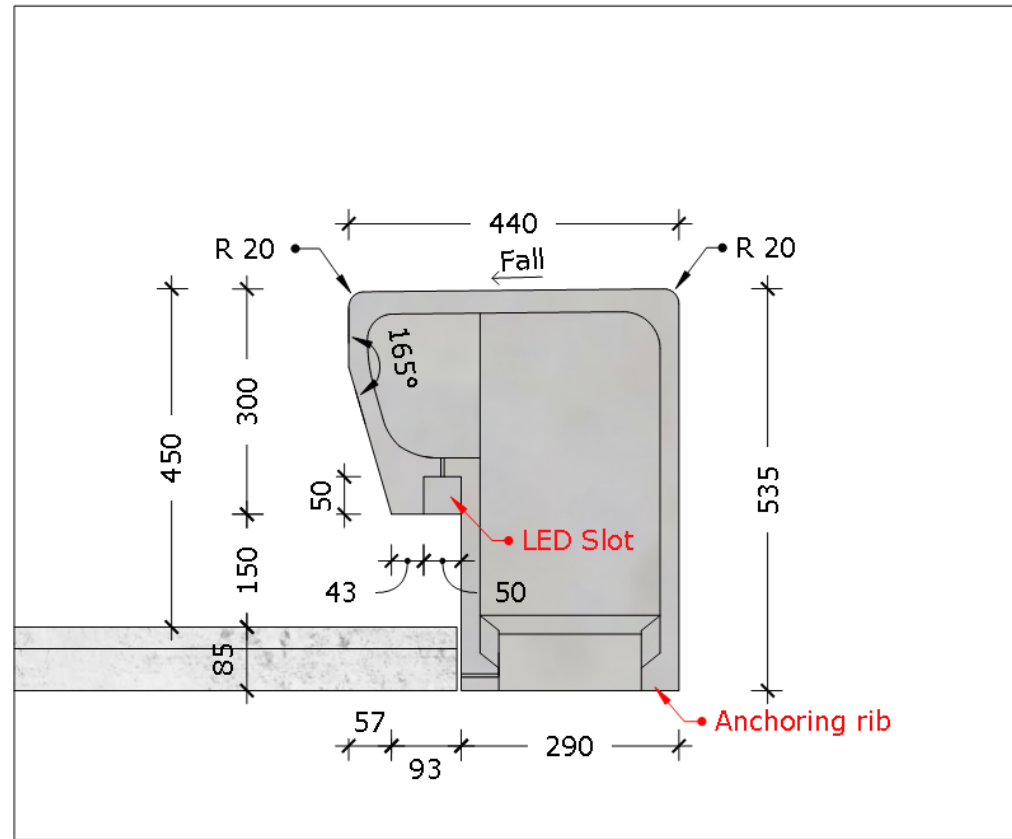
3 Zoomed View B  
Not to Scale



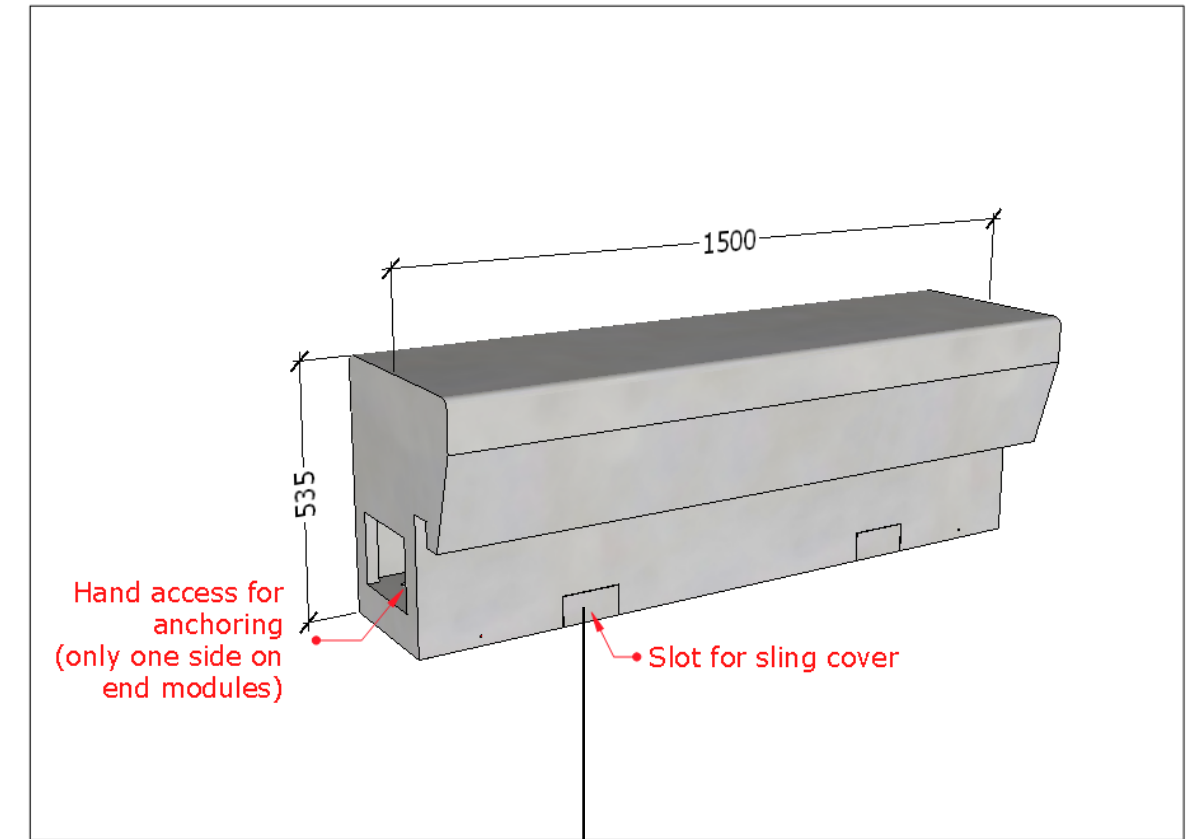
4 Zoomed View C  
Not to Scale



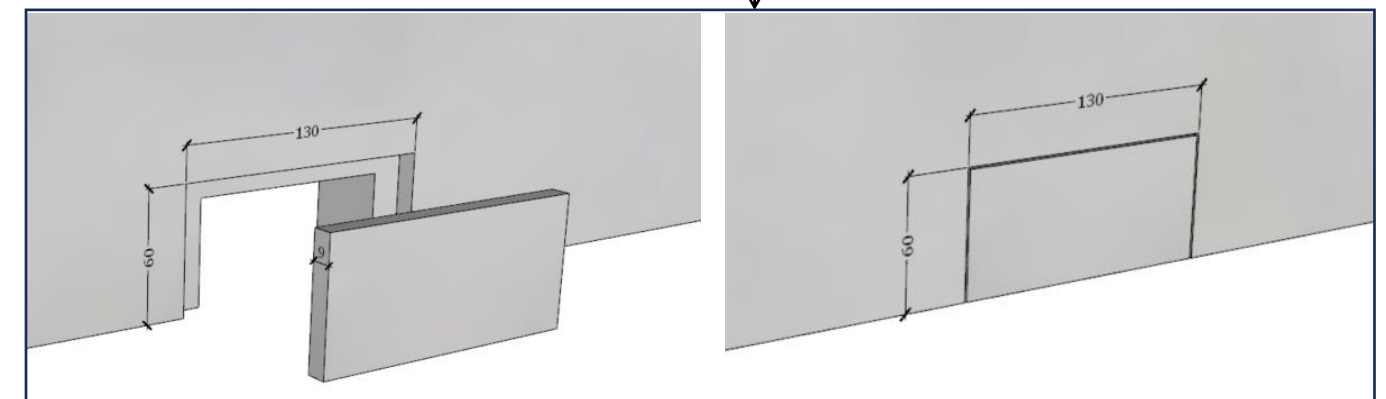
1 Original Design LF-2  
Not to Scale

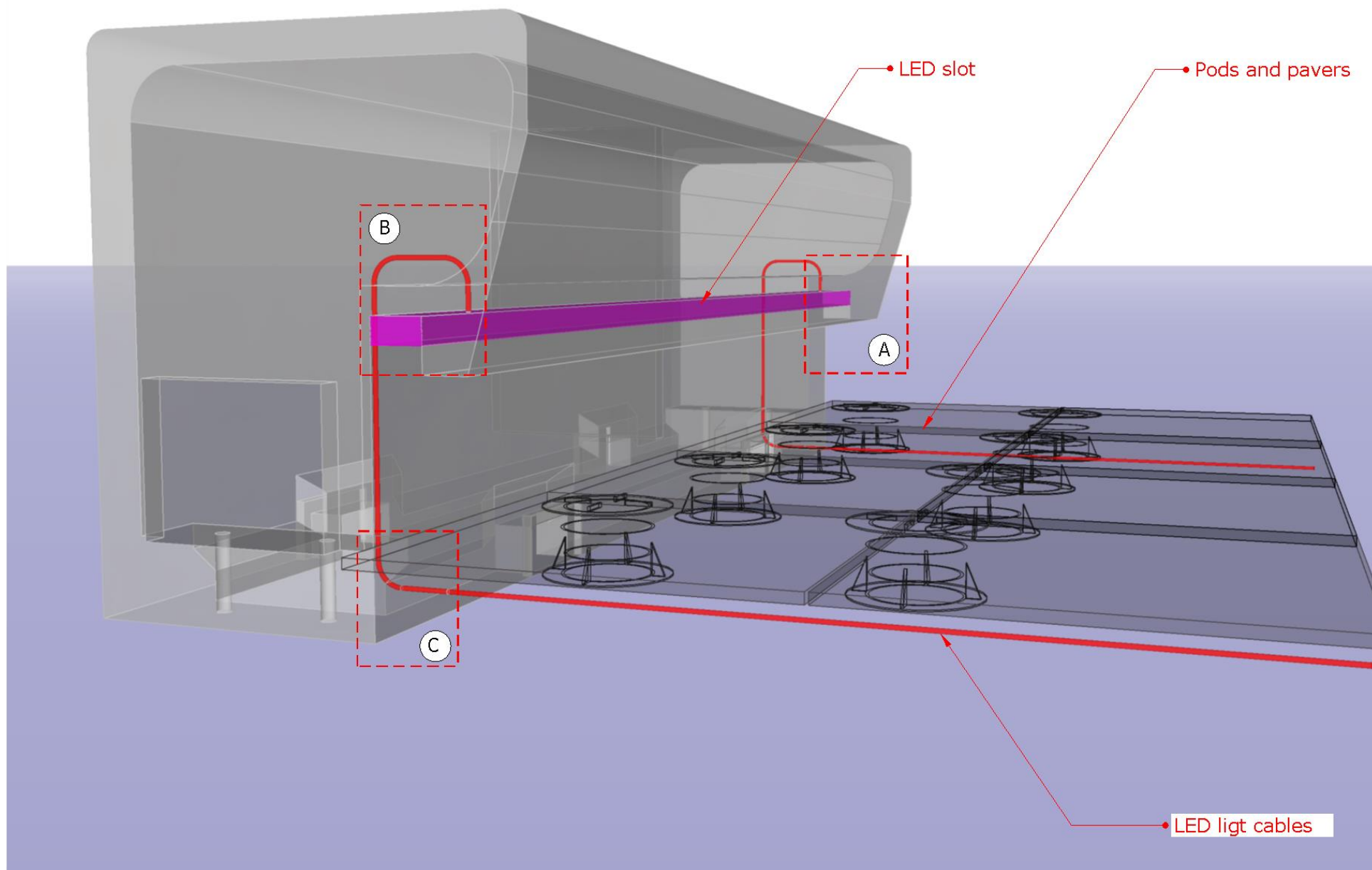


2 GRC Option Section View LF-2  
Scale: 1 : 10 @A3

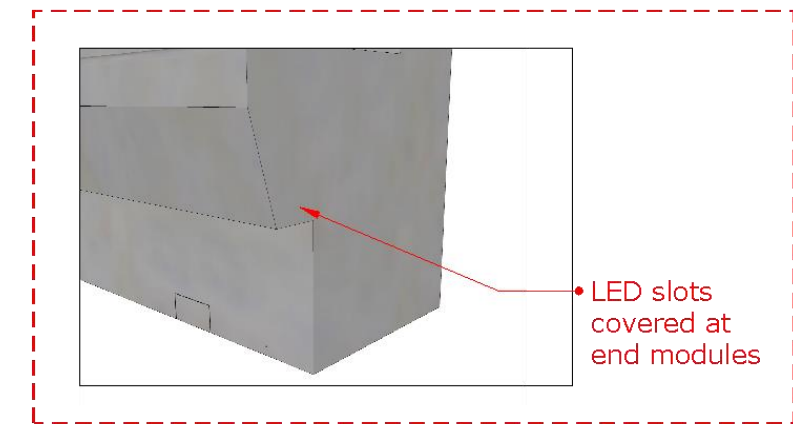


3 GRC Option 3D View LF-2  
Not to Scale

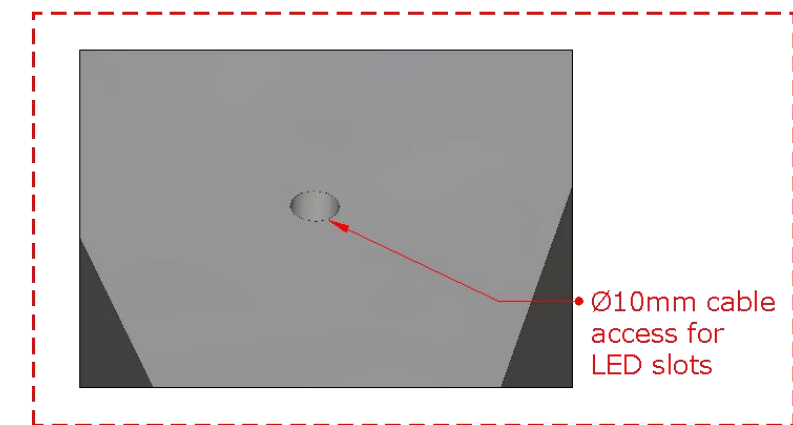




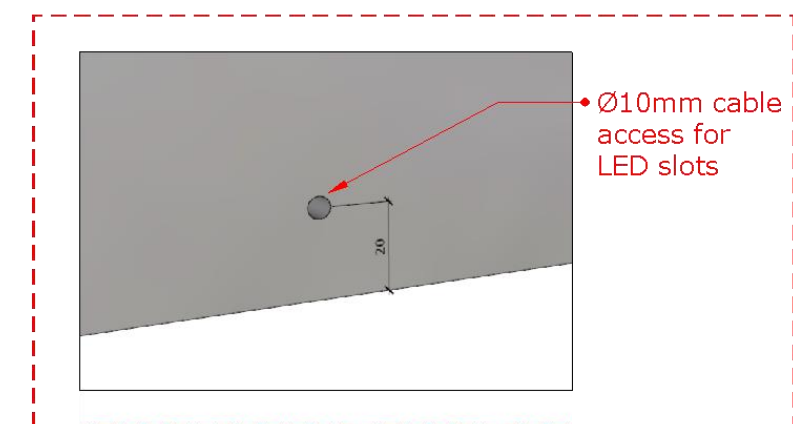
1 LED Conduit Scheme LF2  
Not to Scale



2 Zoomed View A  
Not to Scale



3 Zoomed View B  
Not to Scale



4 Zoomed View C  
Not to Scale