

# Satu Bumi

Advanced Concrete Technology

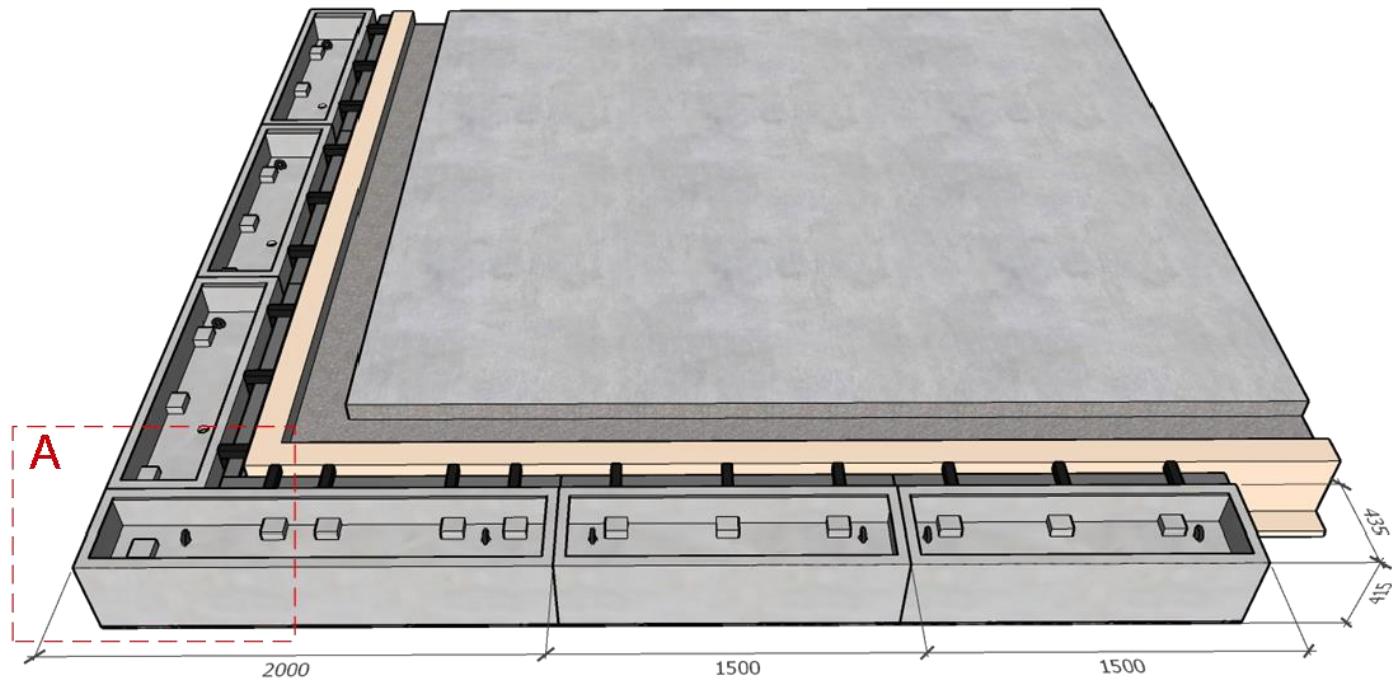
## Design Example

# HANGING PLANTERS

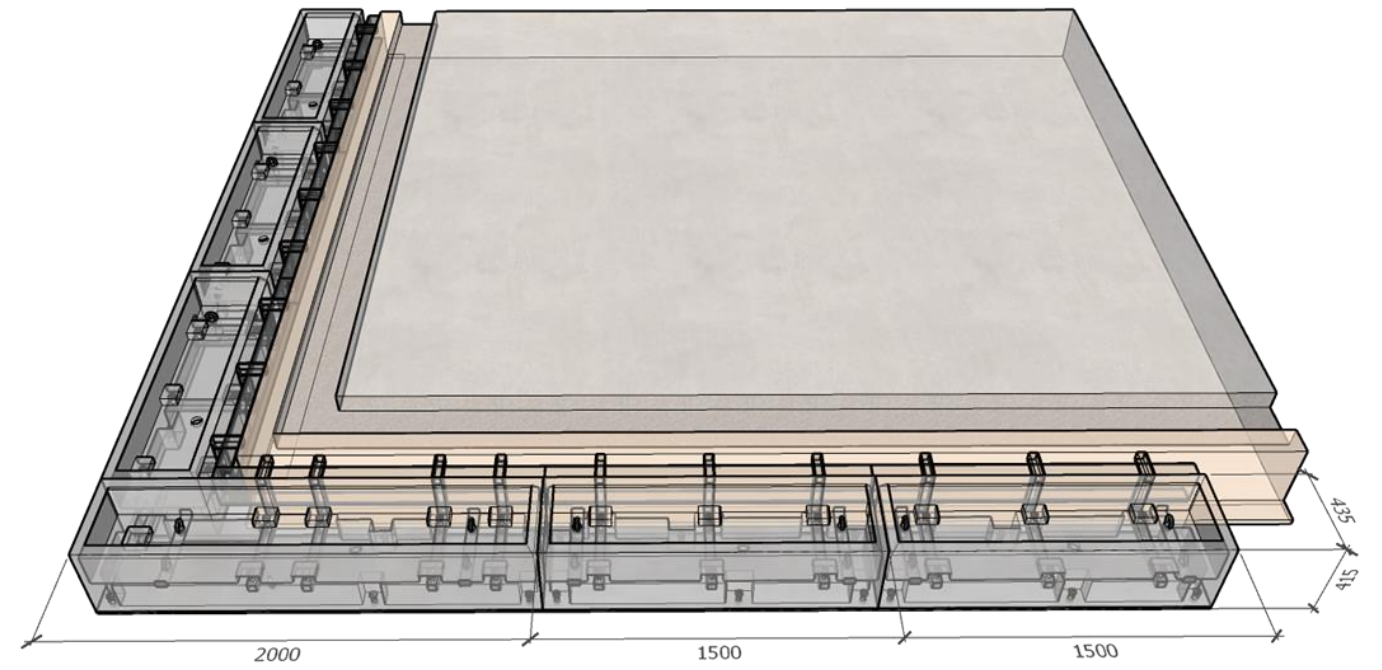
# Satu Bumi

Advanced Concrete Technology

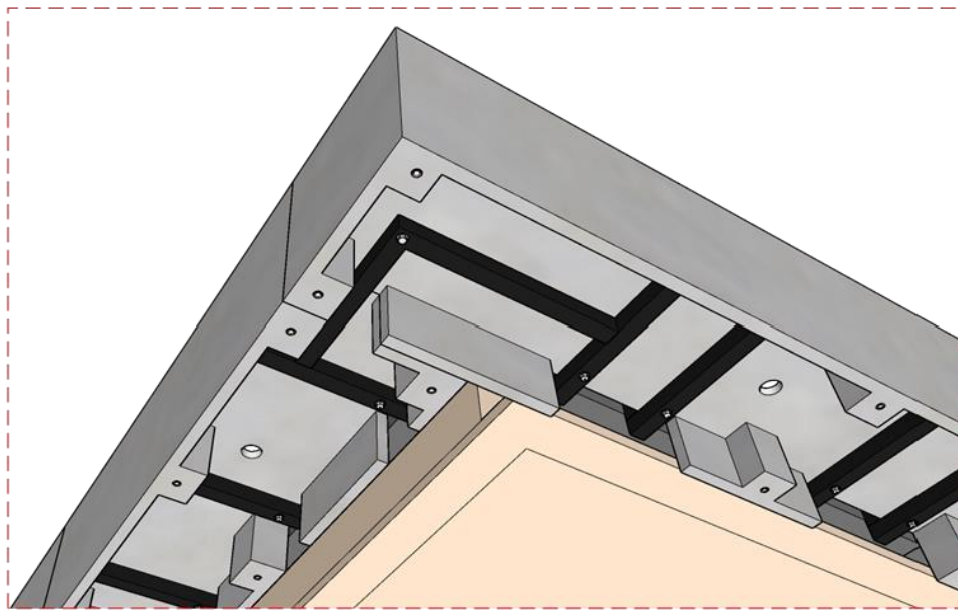
## OPTION 01



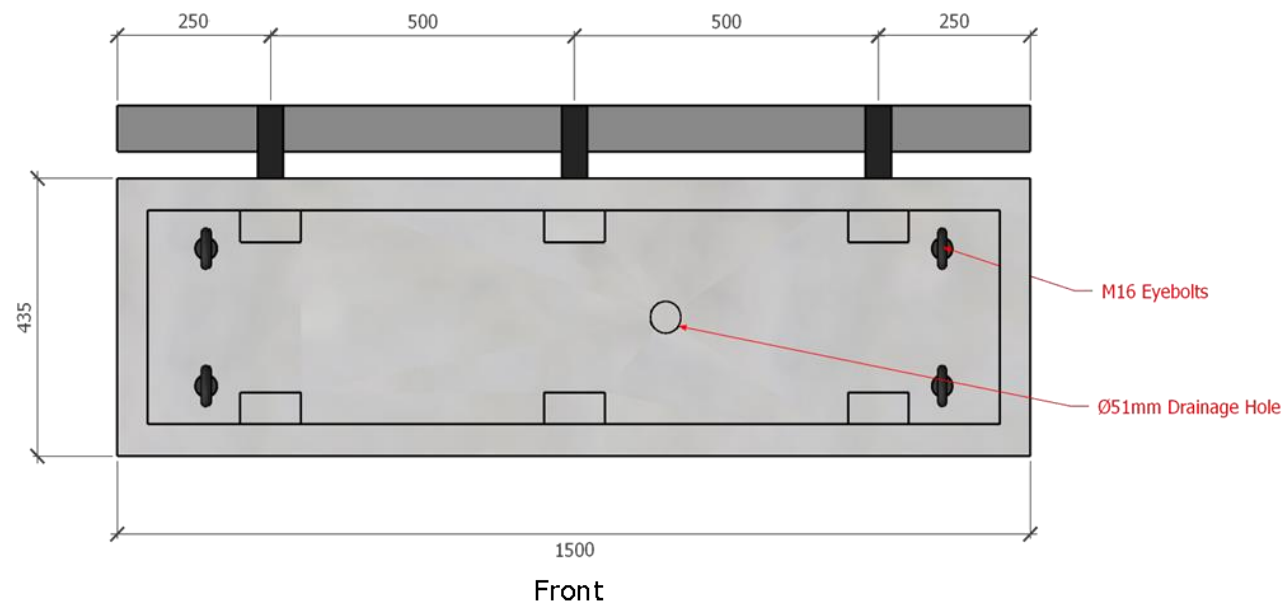
1 3D View  
Not to Scale



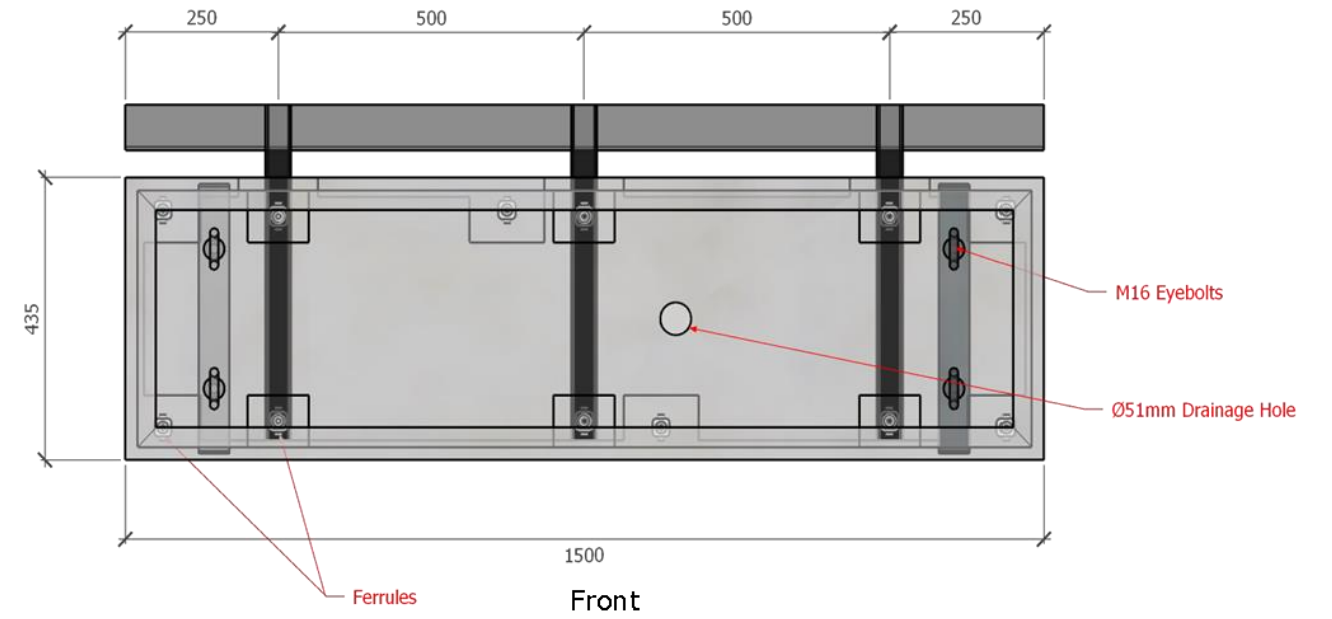
2 3D Transparent View  
Not to Scale



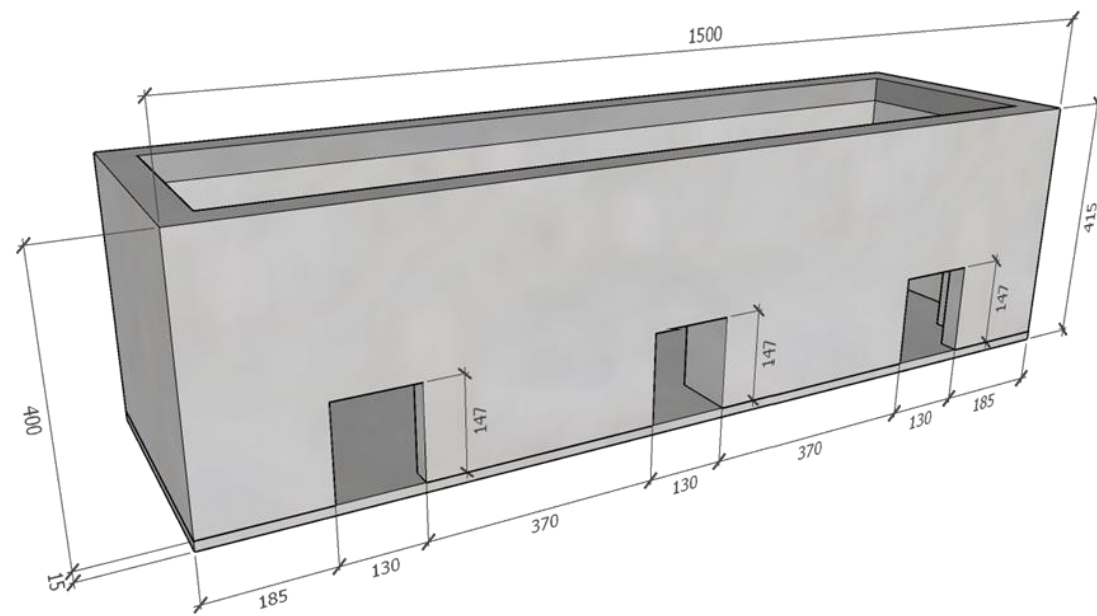
3 3D Bottom View A  
Not to Scale



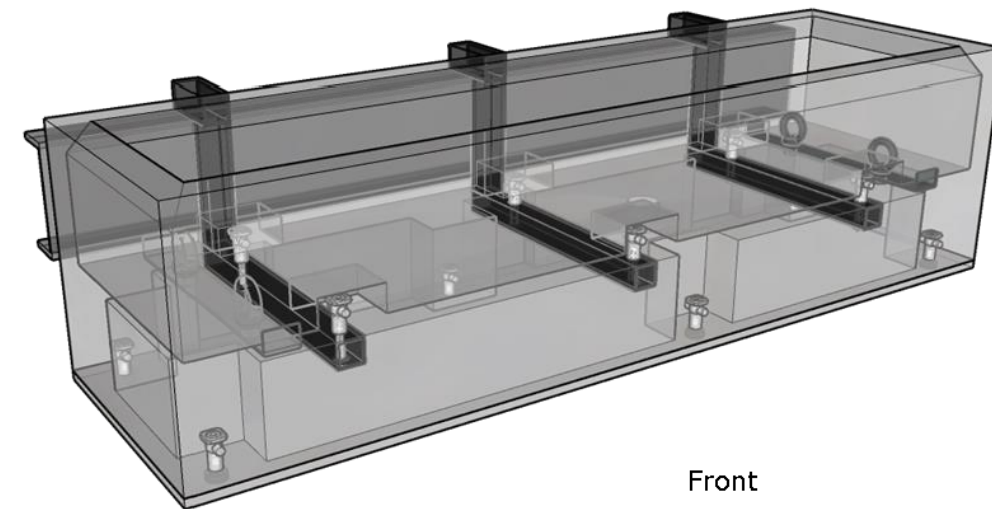
1 Plan View  
Not to Scale



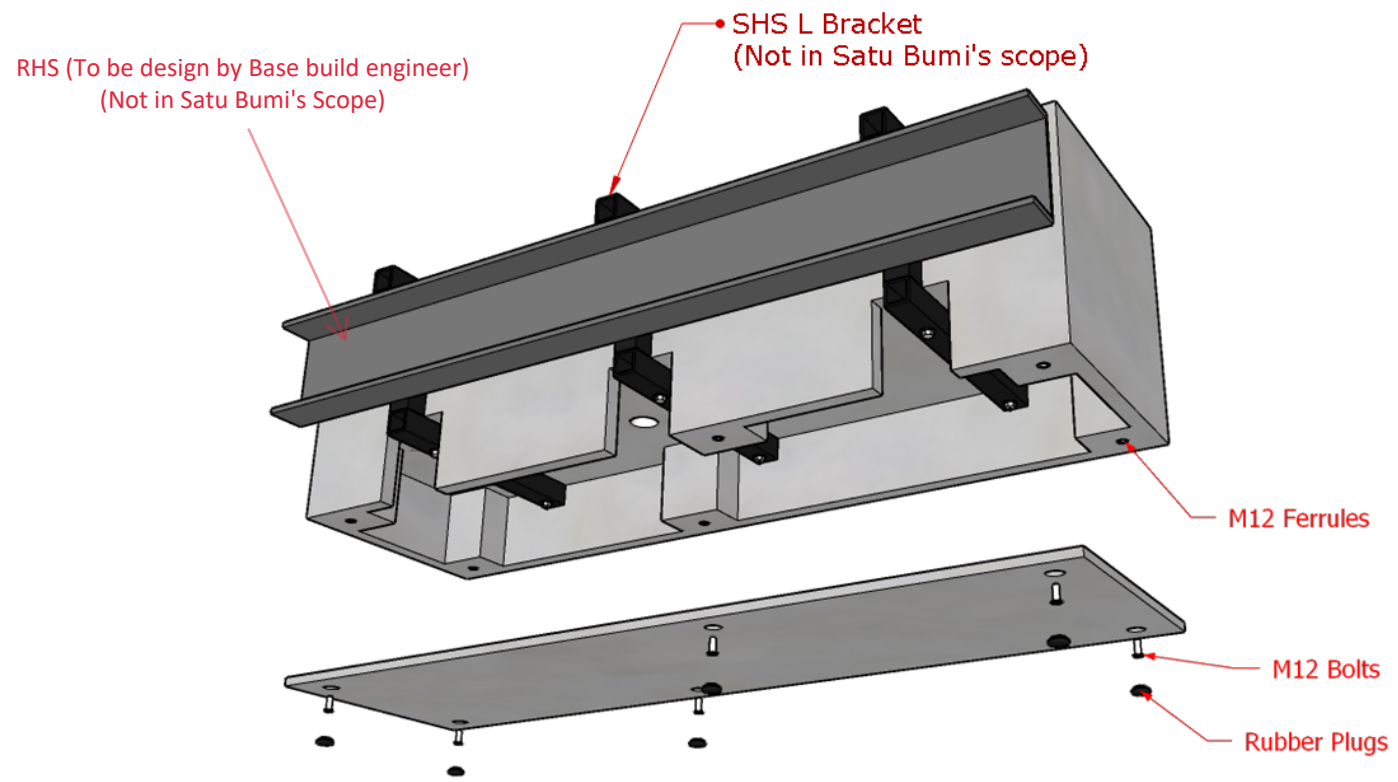
2 Transparent Plan View  
Not to Scale



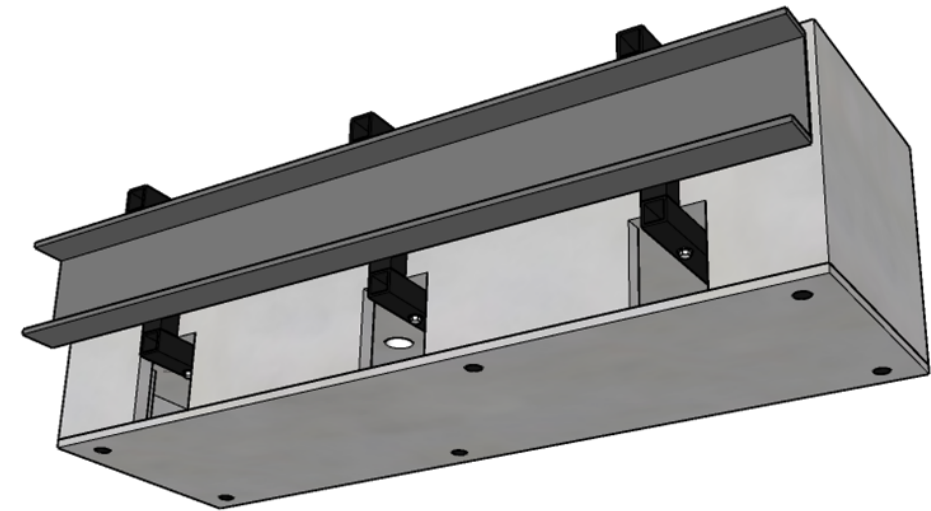
3 3D Back View  
Not to Scale



4 3D Transparent View  
Not to Scale



1 3D Exploded View  
Not to Scale

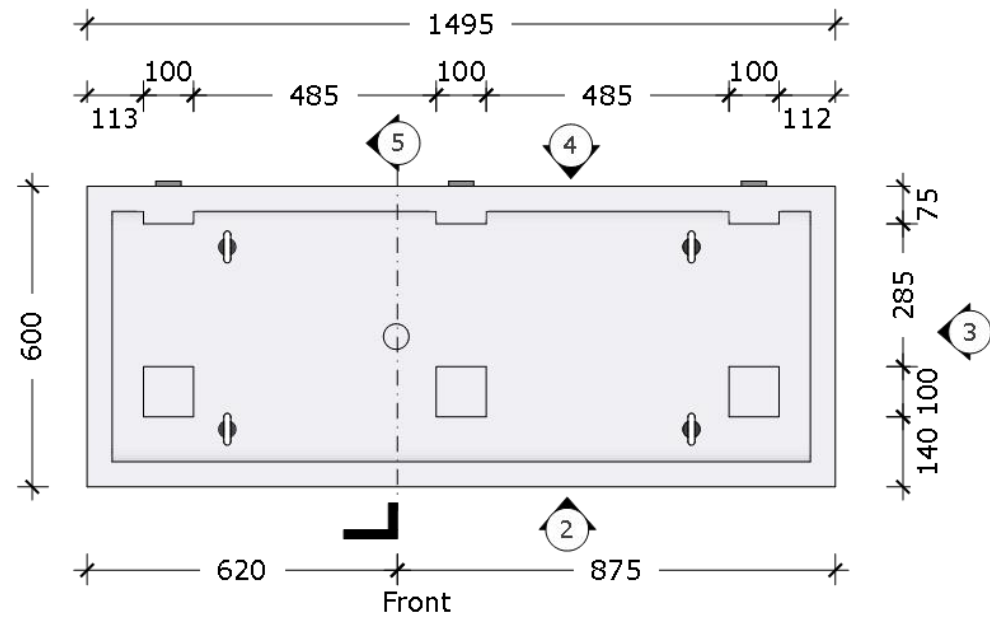


2 3D Fixed View  
Not to Scale

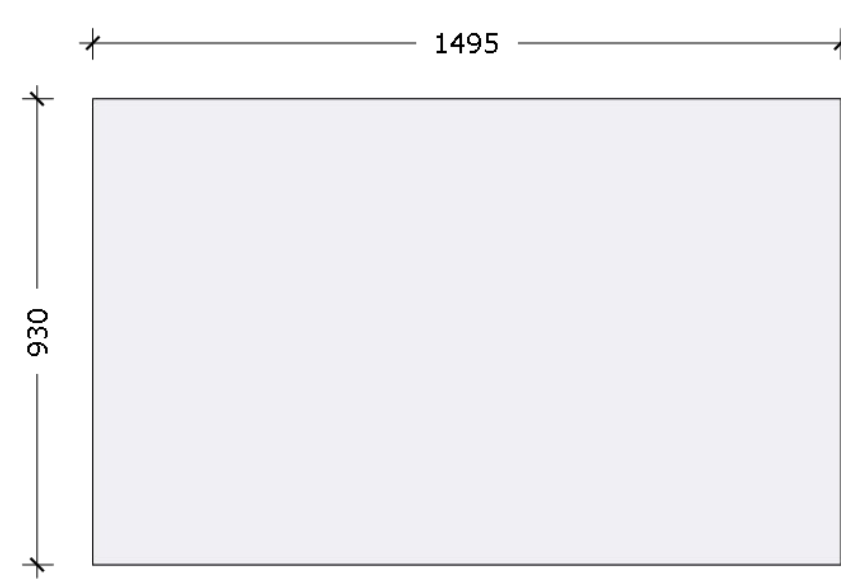
# Satu Bumi

Advanced Concrete Technology

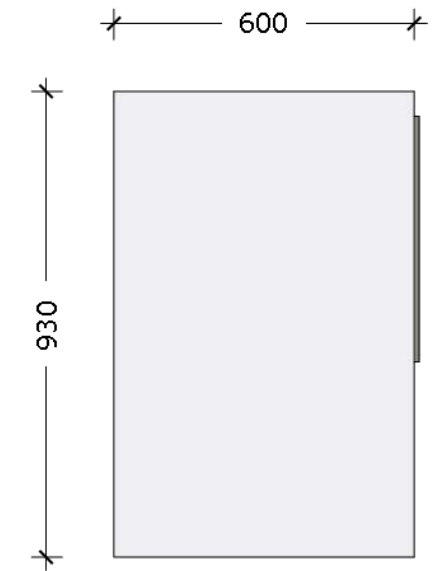
## OPTION 02



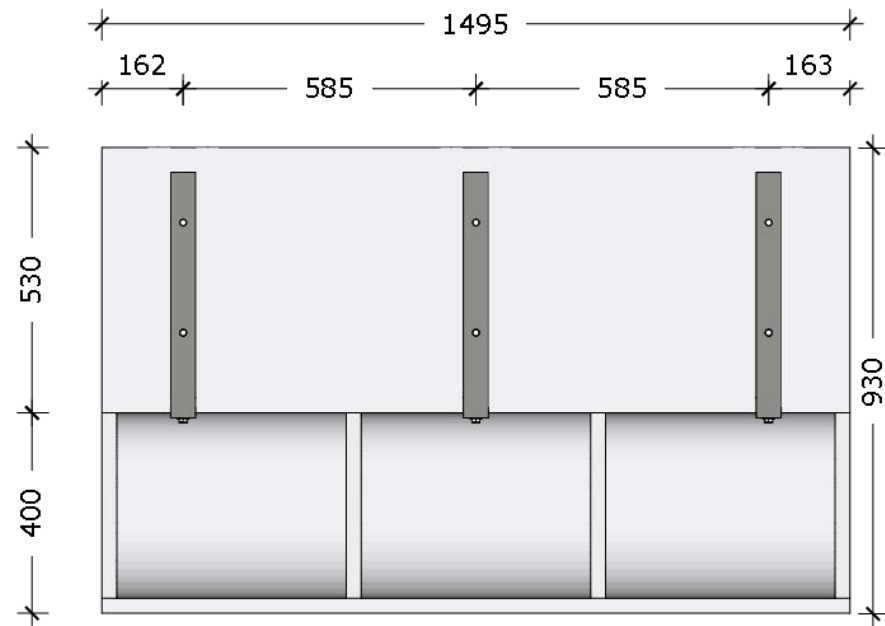
1 Plan View  
Scale: 1 : 15



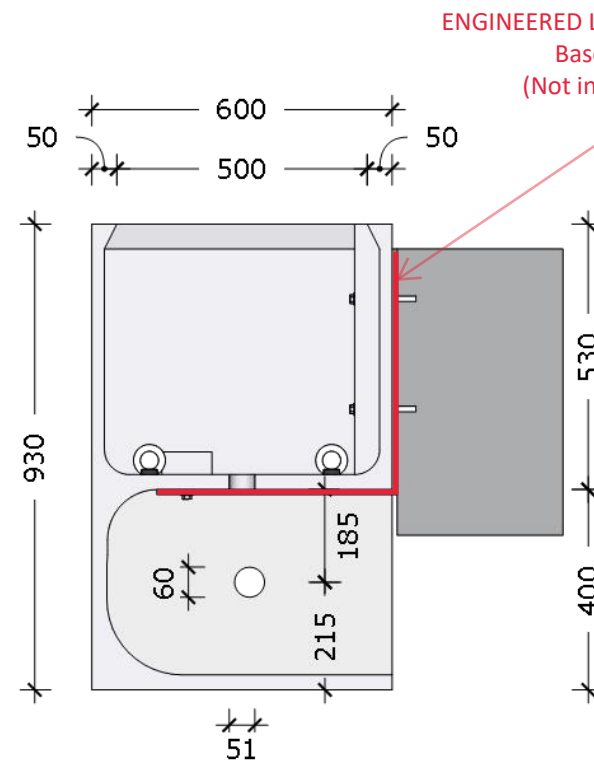
2 Front View  
Scale: 1 : 15



3 Side View  
Scale: 1 : 15



4 Back View  
Scale: 1 : 15

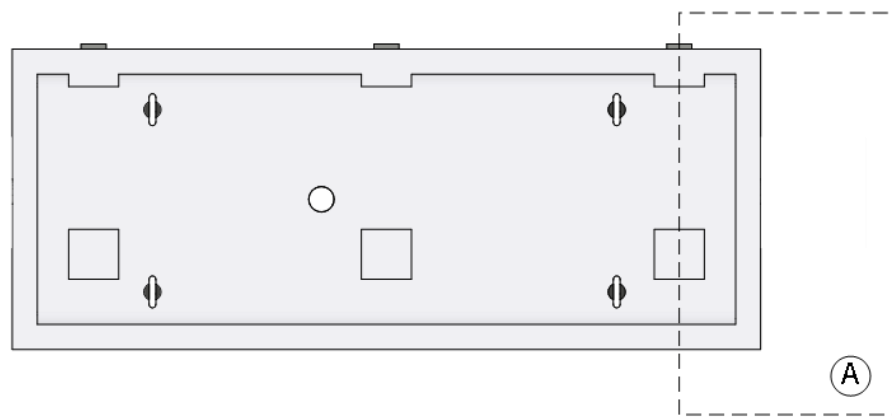


5 Section View Internal  
Scale: 1 : 15

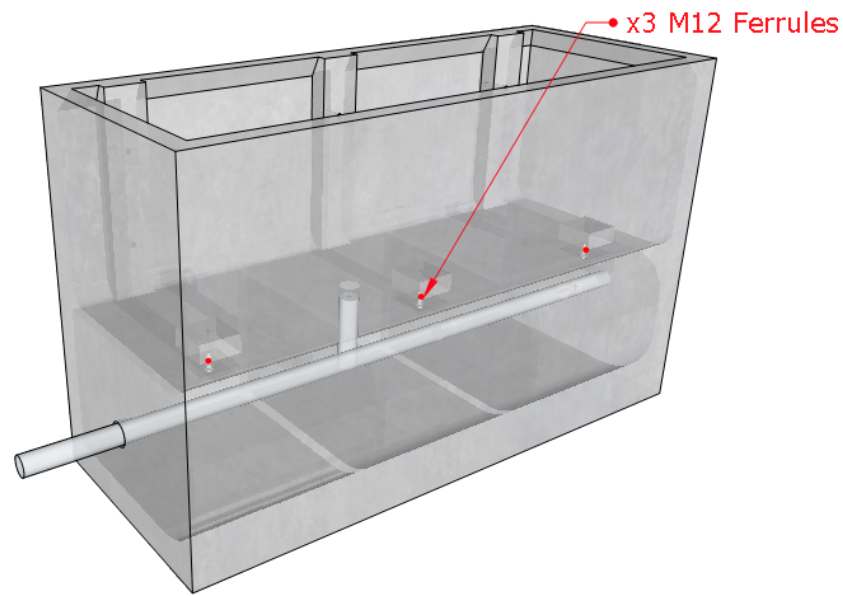
ENGINEERED L-BRACKET (To be design by  
Base build engineer)  
(Not in Satu Bumi's Scope)



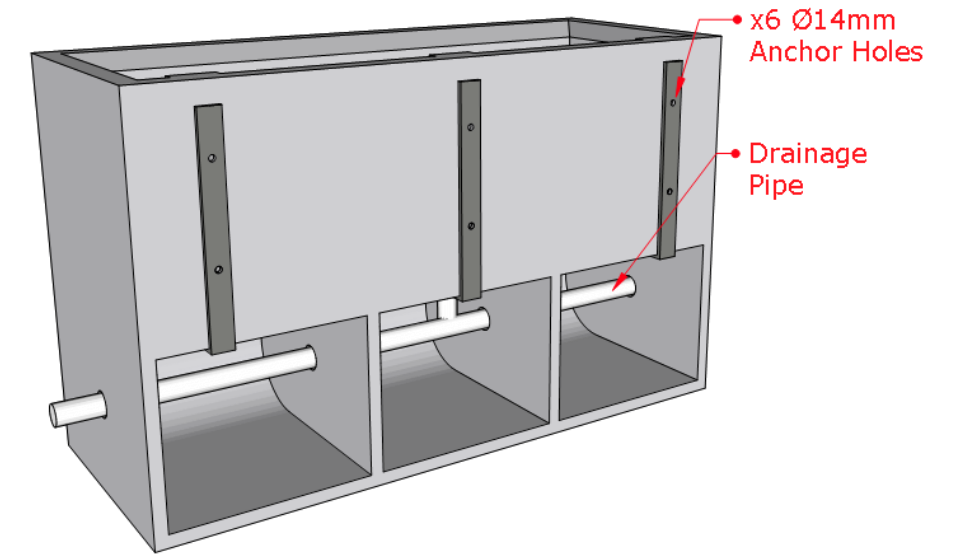
6 3D View  
Not to Scale



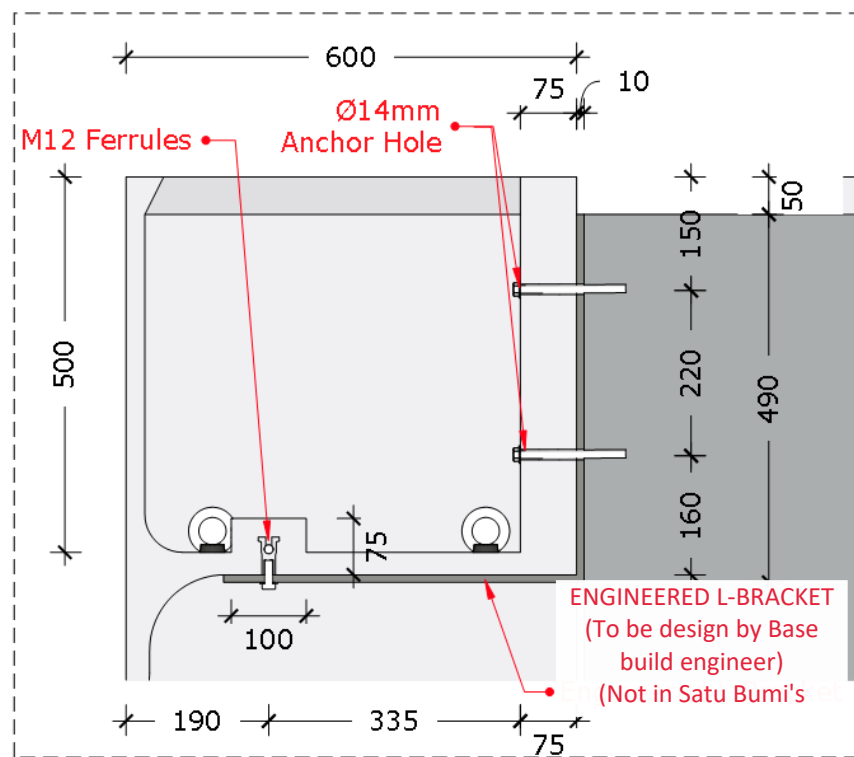
**1** Plan View  
Scale: 1 : 15@A3



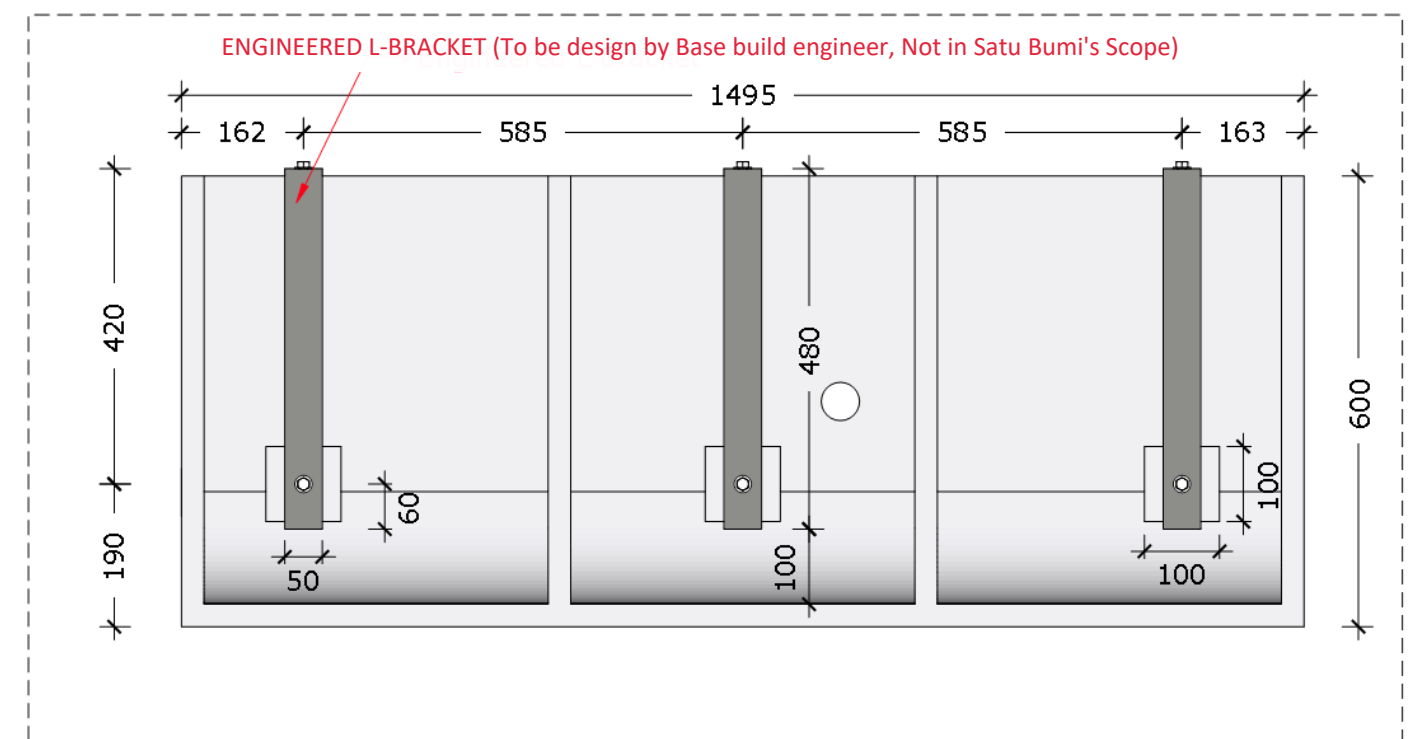
**2** Transparent View  
Not to Scale



**3** 3D Back View  
Not to Scale

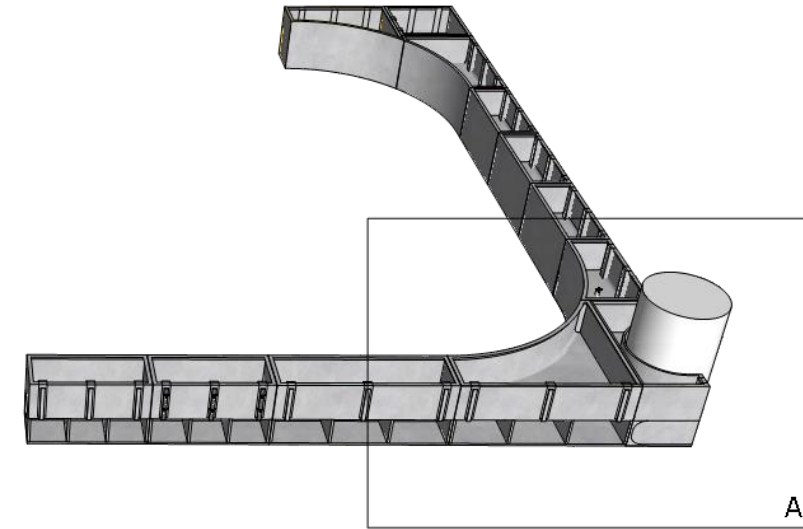
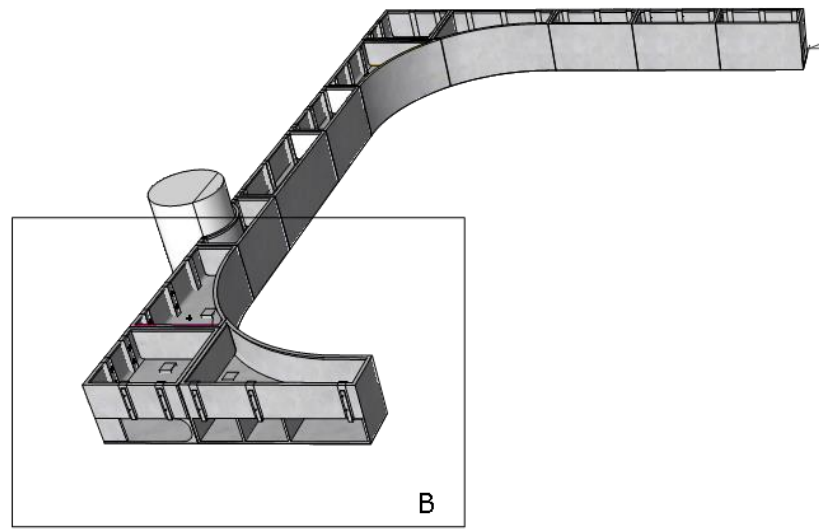


**4** Zoom View A  
Scale: 1 : 10@A3

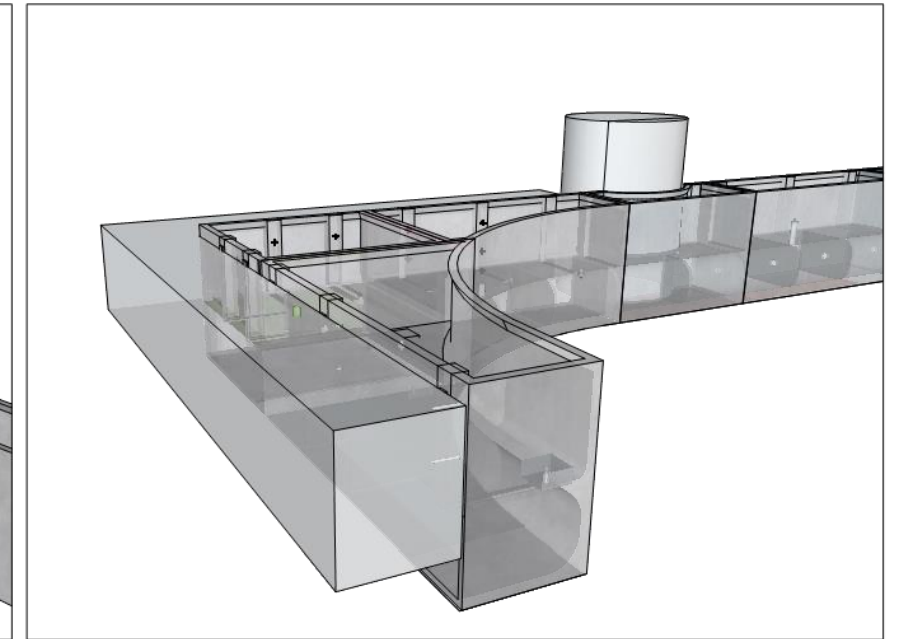
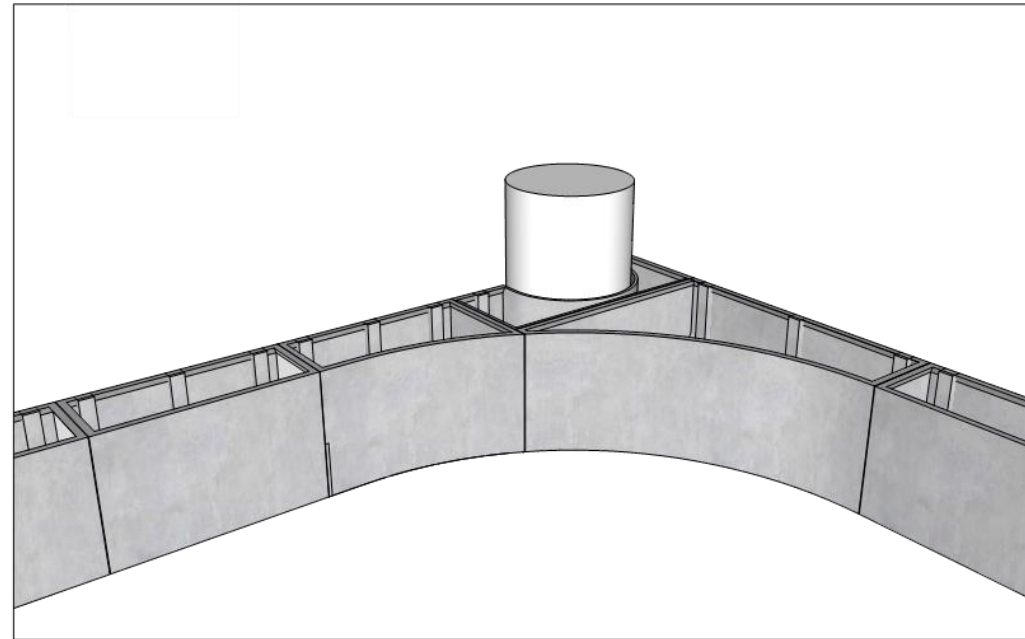
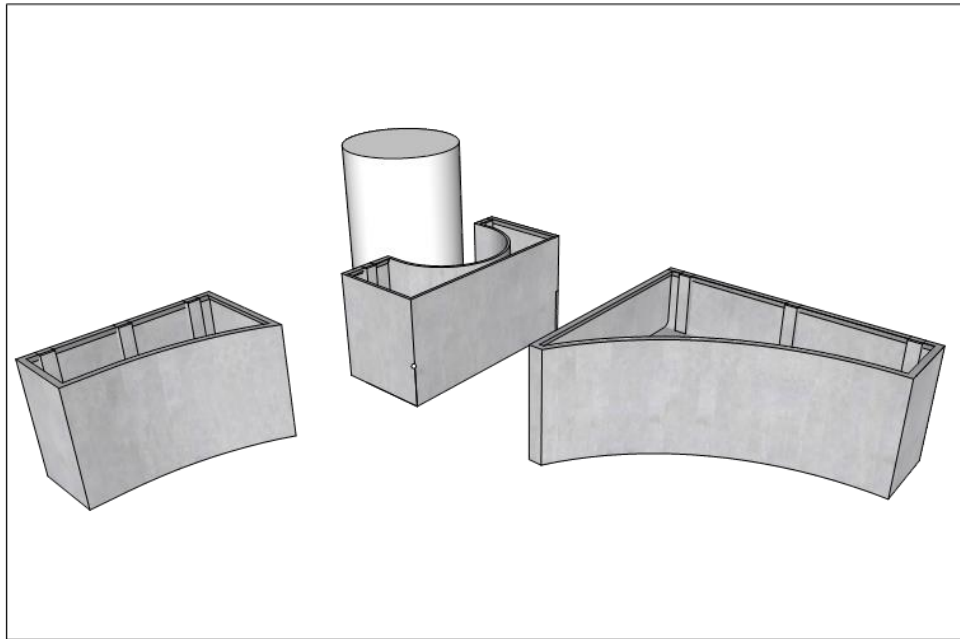


**5** Bottom View  
Scale: 1 : 10@A3





1 3D Markup  
Not to Scale



2 3D Zoom Exploded View A  
Not to Scale

3 3D Zoom Fixed View A  
Not to Scale

4 3D Zoom Transparent View A  
Not to Scale