

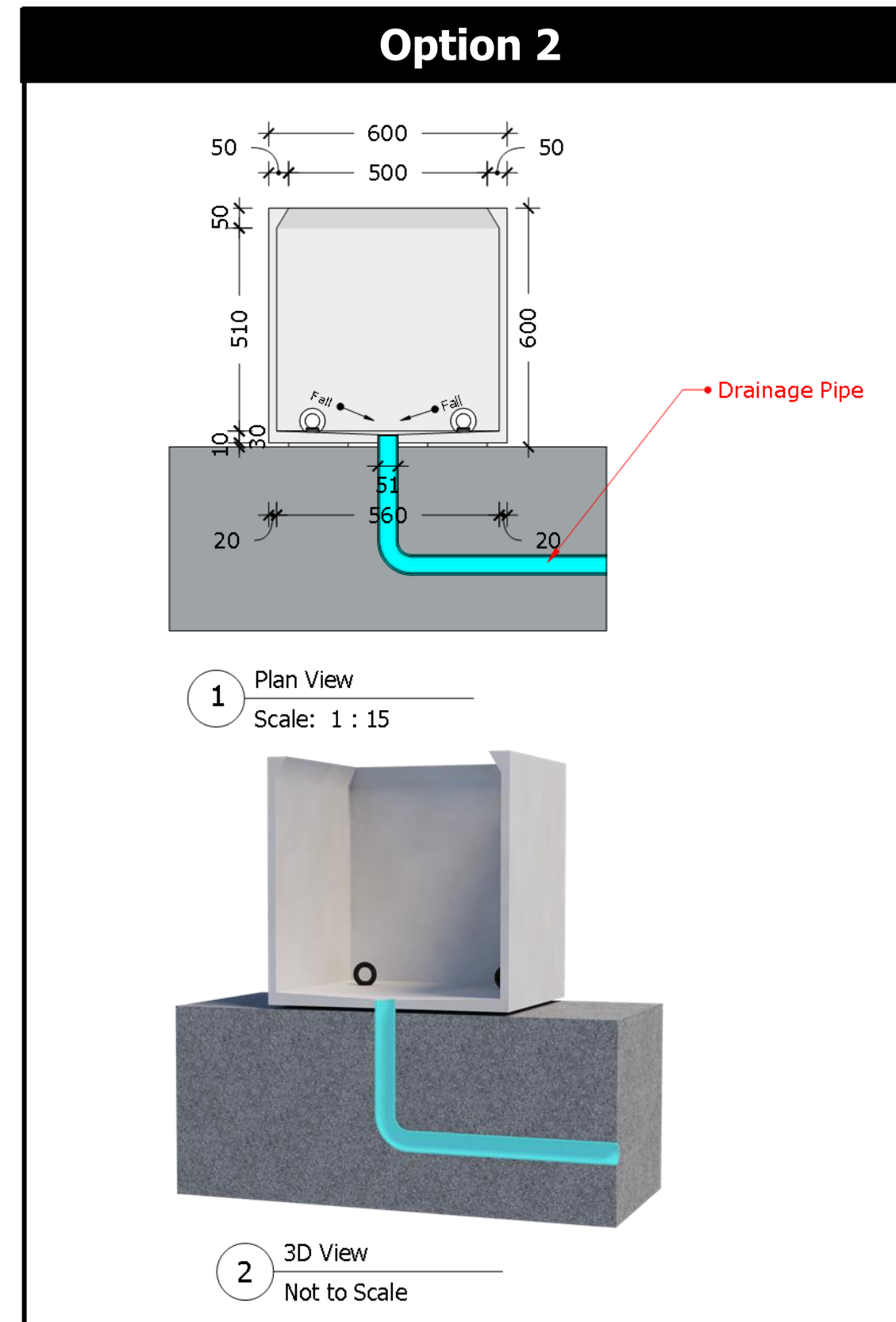
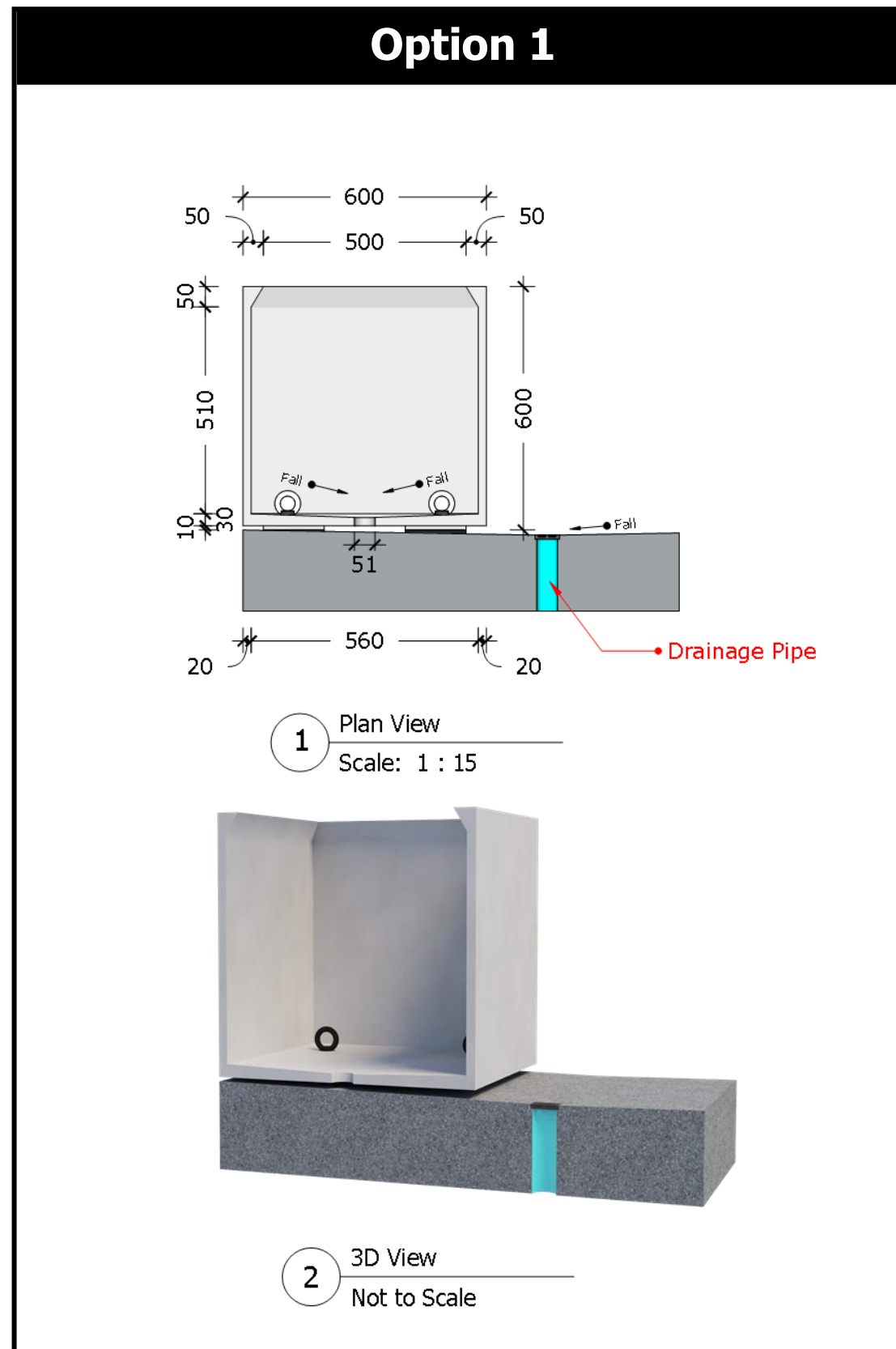
Satu Bumi

Advanced Concrete Technology

Design Example

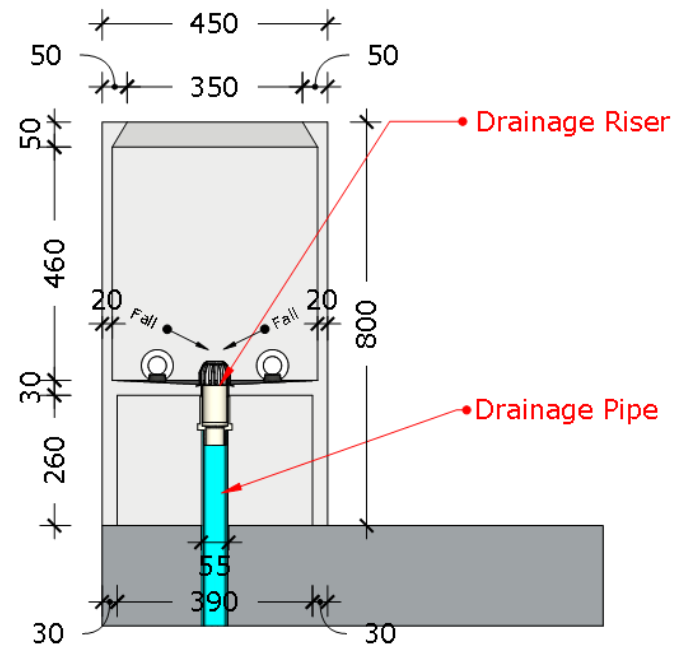
**DRAINAGE
FOR PLANTER**

Drainage Options for Rectangle Planter

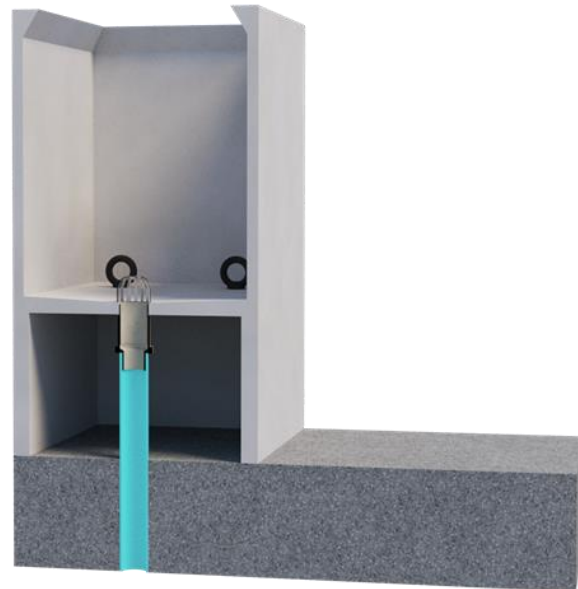


Drainage Options for H-Planter

Option 1

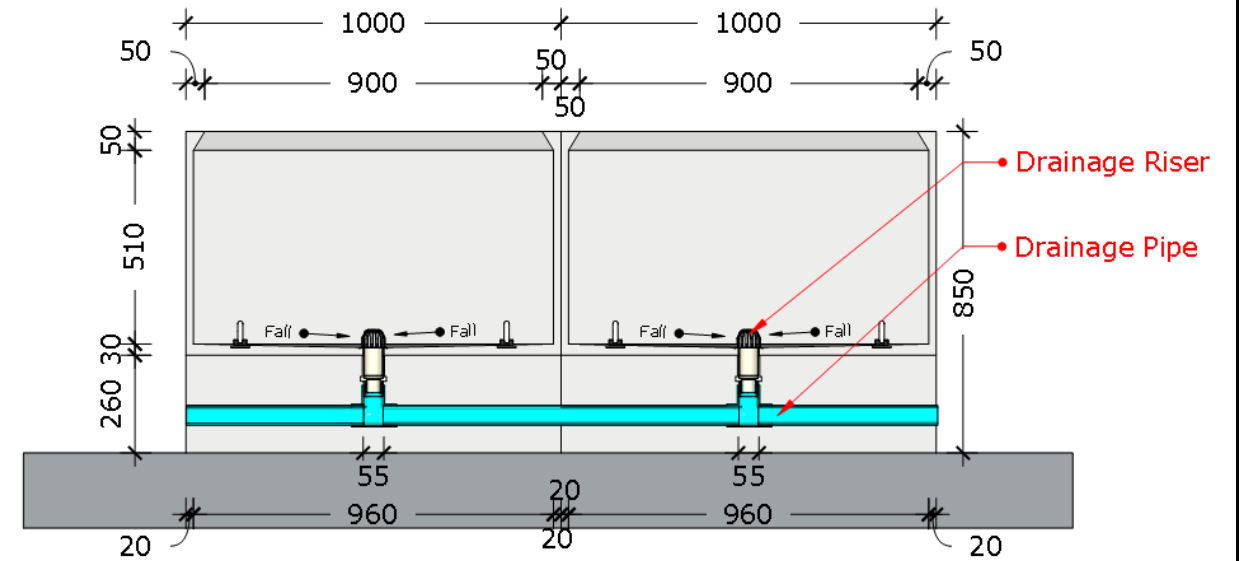


1 Plan View
Scale: 1 : 15

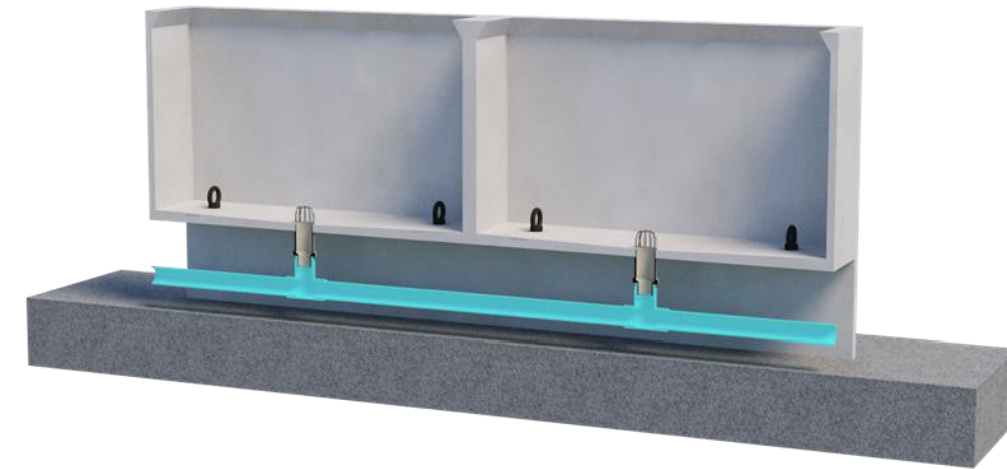


2 3D View
Not to Scale

Option 2



1 Plan View
Scale: 1 : 20



2 3D View
Not to Scale

Drainage Pipe Extension Options for H-Planter



○ Option 1 Side View



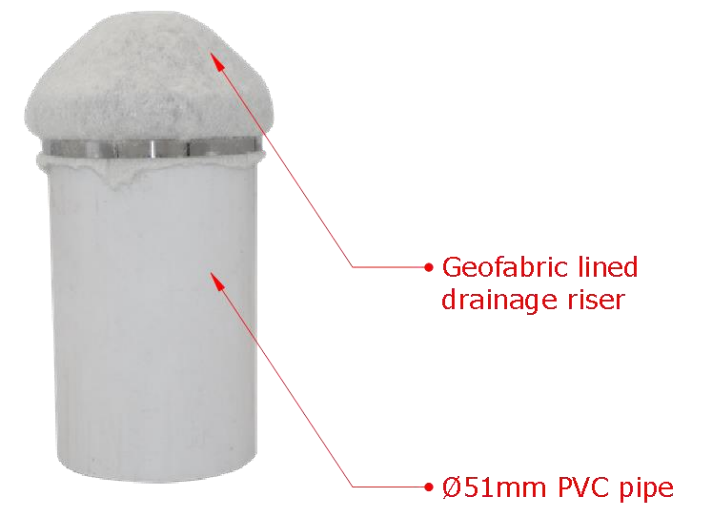
○ Option 1 Bottom View



○ Option 2 Side View



○ Option 2 Bottom View

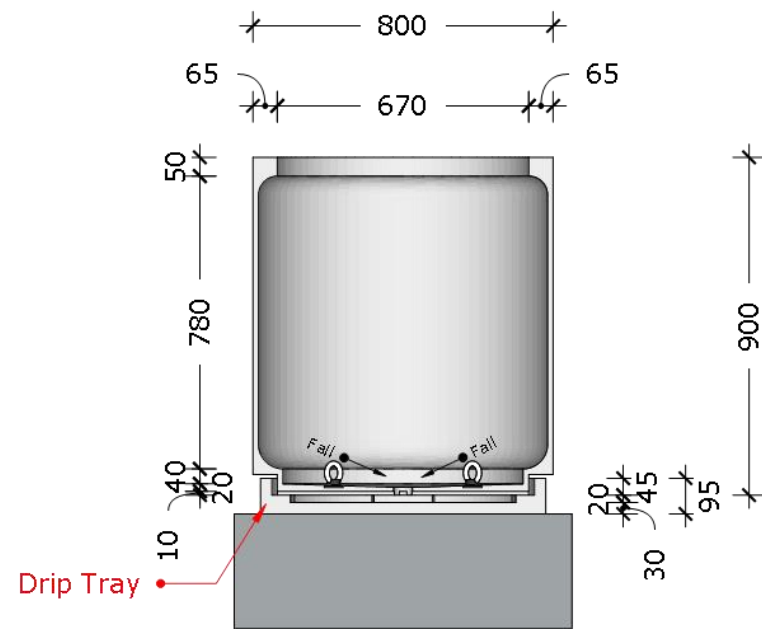
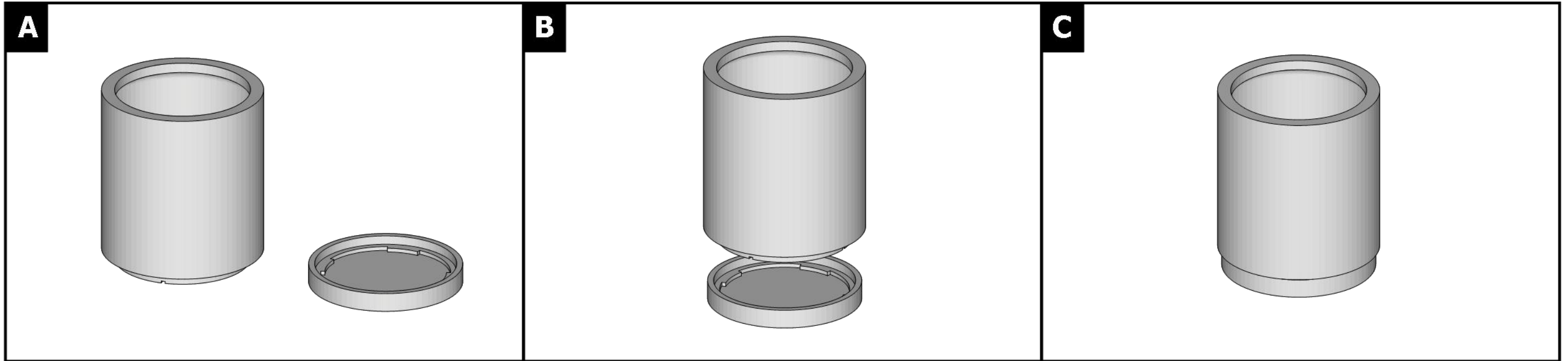


○ Option 3 Side View



○ Option 3 Bottom View

Drainage Option for Drip Tray



1 Plan View
Scale: 1 : 20



2 3D View
Not to Scale