









Deluxe Rotunda

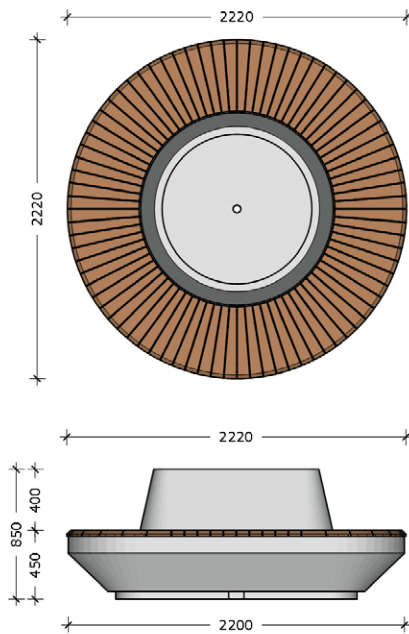
Satu Bumi designs its CityScape Deluxe Rotunda with simple lines and robust construction to suite the practical requirements of public spaces.

Deluxe Rotunda Range

PRODUCT	DESCRIPTION	LENGTH (MM)	WIDTH (MM)	HEIGHT (MM)	WEIGHT (KG)	VOLUME (M ³)
	8030.0.085.222.222 Deluxe Rotunda Round	-	2220 D	850 H	580	0.891
	8031.0.085.222.222 Deluxe Rotunda Square	2220 L	2220 W	850 H	695	1.121
	8032.0.085.302.275 Deluxe Rotunda Triangle	3020 L	2757 W	850 H	875	1.396
	8033.0.085.302.222 Deluxe Rotunda Oval	3020 L	2220 W	850 H	835	1.673
	8034.0.045.090.090 Deluxe Rotunda Stool 900D	-	900 D	450 H	115	-
	8034.0.045.120.120 Deluxe Rotunda Stool 1200D	-	1200 D	450 H	180	-

Deluxe Rotunda Round

- Suitable for both indoor and outdoor use
- Forklift lifting holes or sling lifting holes optional
- Drainage holes optional
- Treated hardwood timber top seating optional
- Standard GRC colours are: Grey Cement, White Cement, and Charcoal

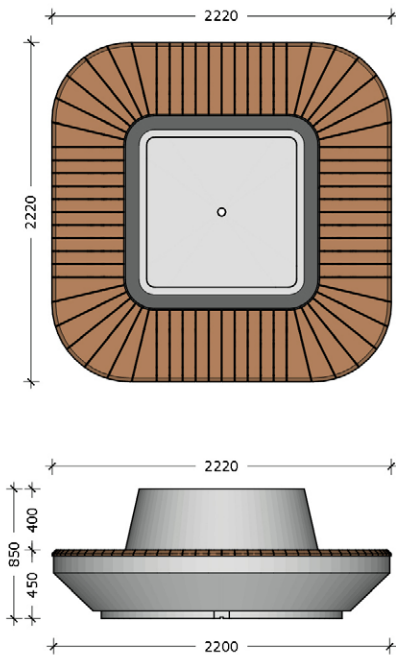


PRODUCT	DESCRIPTION	LENGTH (MM)	WIDTH (MM)	HEIGHT (MM)	WEIGHT (KG)	VOLUME (M ³)	INTERIOR BASE	INTERIOR TOP
8030.0.085.222.222	Deluxe Rotunda Round	-	2220 D	850 H	580	0.891	1280 D	980 D



Deluxe Rotunda Square

- Suitable for both indoor and outdoor use
- Forklift lifting holes or sling lifting holes optional
- Drainage holes optional
- Treated hardwood timber top seating optional
- Standard GRC colours are: Grey Cement, White Cement, and Charcoal

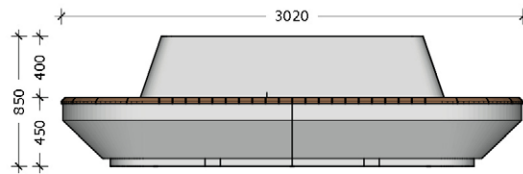
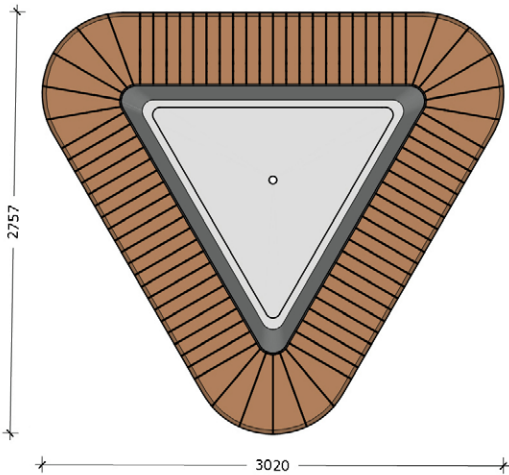


PRODUCT	DESCRIPTION	LENGTH (MM)	WIDTH (MM)	HEIGHT (MM)	WEIGHT (KG)	VOLUME (M ³)	INTERIOR BASE	INTERIOR TOP
8031.0.085.222.222	Deluxe Rotunda Square	2220 L	2220 W	850 H	695	1.121	1280 L x 1280 W	980 L x 980 W



Deluxe Rotunda Triangle

- Suitable for both indoor and outdoor use
- Forklift lifting holes or sling lifting holes optional
- Drainage holes optional
- Treated hardwood timber top seating optional
- Standard GRC colours are: Grey Cement, White Cement, and Charcoal Cement

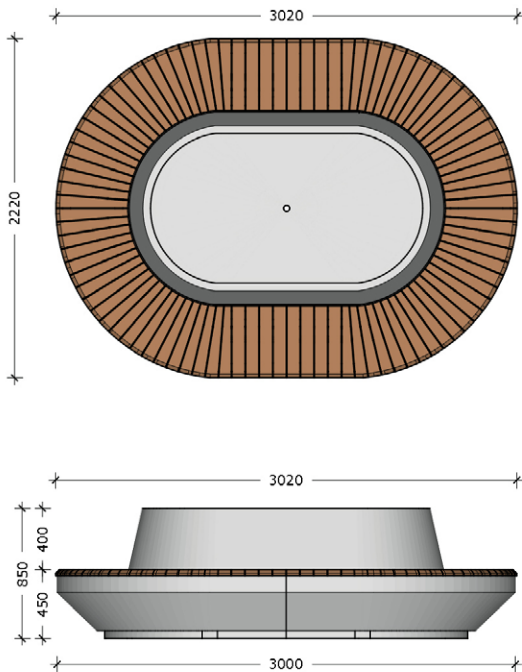


PRODUCT	DESCRIPTION	LENGTH (MM)	WIDTH (MM)	HEIGHT (MM)	WEIGHT (KG)	VOLUME (M ³)	INTERIOR BASE	INTERIOR TOP
8032.0.085.302.275	Deluxe Rotunda Triangle	3020 L	2757 W	850 H	875	1.396	2006 L x 1767 W	1574 L x 1377 W



Deluxe Rotunda Oval

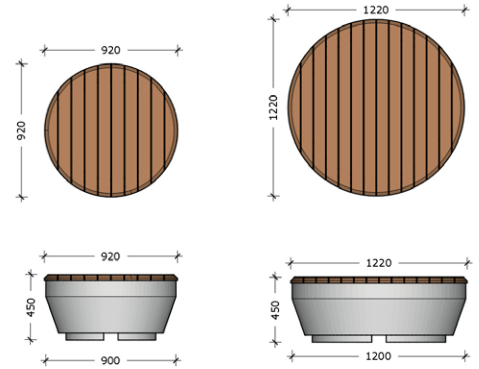
- Suitable for both indoor and outdoor use
- Forklift lifting holes or sling lifting holes optional
- Drainage holes optional
- Treated hardwood timber top seating optional
- Standard GRC colours are: Grey Cement, White Cement, and Charcoal Cement



PRODUCT	DESCRIPTION	LENGTH (MM)	WIDTH (MM)	HEIGHT (MM)	WEIGHT (KG)	VOLUME (M ³)	INTERIOR BASE	INTERIOR TOP
8033.0.085.302.222	Deluxe Rotunda Oval	3020 L	2220 W	850 H	835	1.673	2080 L x 1280 W	1780 L x 980 W

Deluxe Rotunda Stool

- Suitable for both indoor and outdoor use
- Forklift lifting holes or sling lifting holes optional
- Drainage holes optional
- Treated hardwood timber top seating optional
- Standard GRC colours are: Grey Cement, White Cement, and Charcoal



PRODUCT	DESCRIPTION	LENGTH (MM)	WIDTH (MM)	HEIGHT (MM)	WEIGHT (KG)	VOLUME (M ³)	INTERIOR BASE	INTERIOR TOP
8034.0.045.090.090	Deluxe Rotunda Stool 900 D	-	900 D	450 H	115	-	-	-
8034.0.045.120.120	Deluxe Rotunda Stool 1200 D	-	1200 D	450 H	180	-	-	-

Satu Bumi

Advanced Concrete Technology

